



Product Catalog

**Indoor & Outdoor Hearth
Outdoor Kitchen & Room
Hearth Accessories**

Contents	Pages
Who We Are, Mission Statement & Operational Goals	3
Indoor Fireplaces & Accessories	4 - 15
New Age™ Indoor Fireplaces	4 - 15
Outdoor and Indoor/Outdoor Fireplaces & Accessories	16 - 27
Stone Age Fireplaces—Patio Series™ Fireplaces	18
Stone Age Fireplaces—Veranda™ Fireplace	19
Stone Age Fireplaces—Contractor Series Fireplaces	20 - 21
Stone Age Fireplaces—Standard Model Fireplaces	22 - 23
Stoned Fire Fireplaces	24
New Age™ Outdoor Fireplaces	25
Fireplace Opening Height Extensions, Portable Fireplace & Oven Footings	26
Fireplace Wood Storage Boxes & Angled Storage Adapter Kits	27
New Age™ Vent-Free Fireplaces	28
New Age™ 5-Piece Indoor Firebox	28
Chimney Dampers, Ash Cleanouts & Air Kits, Fireplace Grates & Accessories	29
Brick Oven & Vecchio™ Pizza Ovens	30
Amerigo™ & Mezzo™ Pizza Ovens	31
Amerigo™ Inner Liner, Access Tunnel & Base plate Extensions Kits & Pizza Oven Cabinets	32
Mezzo™ Pizza Oven & Vent-Free Fireplace Combo	32
Oven & Storage Doors, Oven Accessories	33
Chimney Caps	33
Fire Pits	34 - 35
Fire Pit Log Grates	36
Stone Age Multi-Purpose Ready-Mix	36
Firebrick & Adhesives	36
Cabinet Component System™	37 - 44
Cabinet Component System™ Construction Overview	37
STR Series & L Series Island Kits	38
F Series & FF Series Island Kits	39
U Series	40
Island Spare Parts, Inline Sections, & Conversion Kits	40
Radiused Series Island Kits	41
Radiused Island Sections	42
Radiused End Caps	43
Backsplash & Bar Top Backsplash Kits	43
Ceramic Cooker Island	44
Specialty & Island Detail Kits	44
Cabinet Smoker Kits	45
PreBuilt™ Series	46 - 47
Finishing Specifications for Stone Age Products	48 - 49
Ready-Mix Coverage for Stone Age Products	49
Pad and Footing Specifications	50
Warranty	51



Scan Here to Download this Catalog to your Smartphone →

Who We Are

Stone Age Manufacturing, Inc. is a family-owned and operated business, whose background is in masonry and fireplace construction. Our original product, the Stone Age fireplace, arose from needs in the marketplace identified through our own experiences in the field with our affiliated business, Rider Stone Company, a natural stone supply and masonry installation company specializing in custom designs and projects, which has been operated by our family for three generations. Stone Age products have been well received throughout the construction and hardscape industries and we have enjoyed significant growth each year since our incorporation.

Recognition of the challenges typically faced in real-world installations continues to drive our product development, as all Stone Age products are designed to offer a faster, more efficient and more durable way to construct popular hearth and outdoor room products, while delivering greater consistency and higher quality than comparable products or traditional construction techniques.

Stone Age Manufacturing takes pride in our heritage as a family-owned business, and is committed to using our extensive knowledge and masonry expertise to produce the finest quality products available, while delivering exceptional value at a reasonable cost, and providing outstanding personal service to each of our customers.

Stone Age Manufacturing is located in the Tulsa, Oklahoma metropolitan area, and is proud to manufacture our products in the United States of America, using materials produced in the U.S.A.

What We Do

Stone Age Manufacturing, Inc. produces pre-engineered masonry fireplace kits for indoor and outdoor applications, as well as fire pits, brick and pizza ovens, and kitchen island systems, all in kit forms designed for ease of assembly by experienced masons or novice installers, while providing strength, durability and outstanding performance in all climates and conditions.

Each Stone Age product is designed for compatibility with our other components, allowing endless flexibility in project design and easy customization to meet the unique requirements of any installation, regardless of architectural or design style. Stone Age also offers a full line of accessories, carefully chosen to enhance the performance and enjoyment of our products.

Stone Age Manufacturing, Inc. offers a group of products that increase productivity and profits, prevent quality issues and installation difficulties, and enhance the professional reputation of the contractor or installer. Stone Age products offer the consumer a complete outdoor lifestyle system uniquely adaptable to their specific needs, designed to deliver outstanding performance and years of relaxation and enjoyment.

Mission Statement

Stone Age Manufacturing, Inc. strives to create products which offer a faster, more efficient and more durable way to construct popular hearth and outdoor room products, while delivering greater consistency, higher quality, and greater value than competing products or traditional construction techniques. Stone Age also strives to provide outstanding customer service, treating our customers as we would want to be treated ourselves.

Operational Goals

- To be the leader in development and production of masonry indoor and outdoor living products.
- To design products that assemble quickly and easily, offering labor savings and increased profit margins to the installer and cost savings to the consumer.
- To design products which perform well under a broad spectrum of operating conditions and unique installation configurations.
- To produce the highest quality products available at a competitive price, without sacrificing product integrity.
- To build and maintain product inventory levels that allow quick and convenient delivery on all orders.
- To constantly improve the quality and production processes of our existing product line.
- To produce a variety of products and options that offer the greatest value possible to a wide range of potential customers.
- To continually build a brand name that customers recognize, associate with quality, and seek out.
- To deliver outstanding customer service to all customers at all times.
- To earn the reputation of a company that all of our customers would prefer to do business with, and would refer to their friends and associates.
- To offer a wealth of marketing and educational materials to our dealers, distributors, and contractors, to increase knowledge and understanding of the quality and value of Stone Age products, assisting in the sale of our products and the sale of projects using our products.

New Age™ Indoor Fireplaces

New Age™ Indoor fireplaces deliver outstanding performance, excellent quality and exceptional durability, in a form factor optimized for indoor applications, and may also be used in outdoor applications requiring a zero-clearance fireplace. New Age™ fireplaces use a heavy-duty, reinforced solid-wall construction, and are made from Stone Age's proprietary high-temperature tolerant, high-strength concrete mix (over 3500 psi), which results in a much stronger and more durable fireplace than lighter weight products that may look similar at a glance. Some manufacturers may tout lighter weight as an advantage, but we believe our stronger, denser concrete formula and heavy-duty construction yield a fireplace that will perform better with a longer life expectancy, giving the homeowner additional peace of mind knowing they have the highest quality fireplace on the market.

New Age™ models are tested to UL-127/ULC-S610 and UL-103, and are certified as zero-clearance fireplaces, allowing framing directly to the units, if desired, and may be used with our masonry chimney flue sections or with UL-103 metal flue systems.

New Age™ fireplaces have also been tested to ICC-ES AC156 for tolerance to seismic activity.

Available with 36", 42", 48" 60" and 72" firebox opening widths. Firebox opening heights are 27" for 36 - 42" kits, 32" for 48" kits, and 41" for 60" - 72" kits. Note that these dimensions are with firebrick installed. Offered with straight lintel only.

Refer to Section I of Price List



New Age™ 36" through 48" Fireplaces ship on a single pallet per unit. 48" models will be slightly oversized on their pallets.

New Age™ 60" and 72" kits ship on 2 or more pallets, depending upon size.

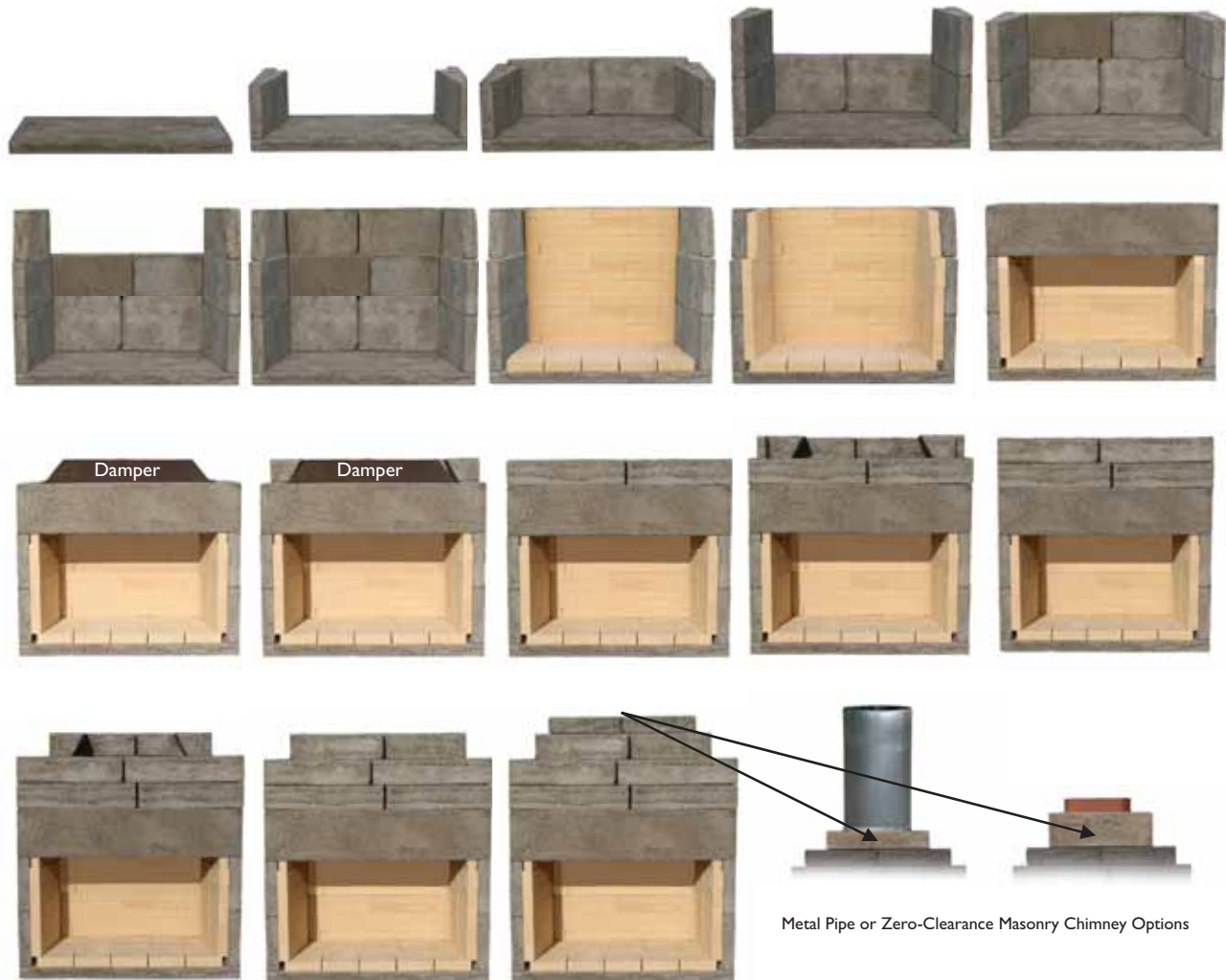
Chimney flue and firebrick ships on separate pallets from the fireplace, and smaller accessories generally will be shipped in corrugated paper boxes, depending upon the item.

Packaging and Shipping Information



New Age™ Fireplace Construction Overview

Construction of the New Age™ fireplace is very simple. Project and site preparation should include pouring a reinforced concrete footing for the unit, per the instructions included with the fireplace kit. Depth of the pad and specific reinforcement requirements, such as piercing, should be determined based on size of the unit, type of finish material to be applied, local soil stability, climate and building codes. The New Age™ Indoor fireplace is a zero-clearance design, and framing may be placed directly against the kit components.



Metal Pipe or Zero-Clearance Masonry Chimney Options

Once the kit is assembled, finish application may begin. Any masonry-compatible finish, such as stucco, tile, brick, man-made or natural stone, may be applied directly to the kit's exterior surface.

Model No. NA36IND

Specifications

36" Zero-Clearance Indoor Fireplace, Certified to UL-127 (US) & ULC-S610 (Canada) Standards, and ICC-ES AC156 Seismic Standard.

Compatible with zero-clearance Stone Age masonry chimney or UL-103 Certified metal chimney systems.

Outside Dimensions (Approximate)

Width	48"
Depth	30"
Height	66 1/2"
Flue Size	13" x 13"
Weight	2300 lbs

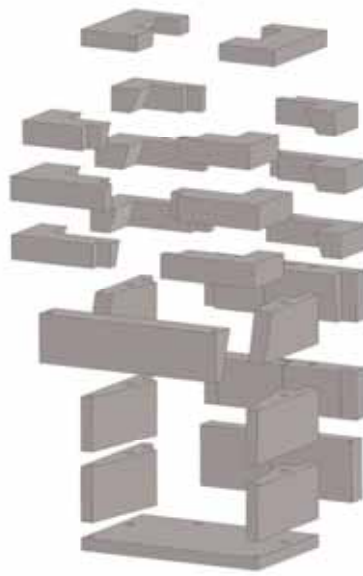
Finished Interior Dimensions (Approximate)

Firebox Width	36"
Firebox Depth	20"
Opening Height	24 1/2"

Refer to Section I of Price List



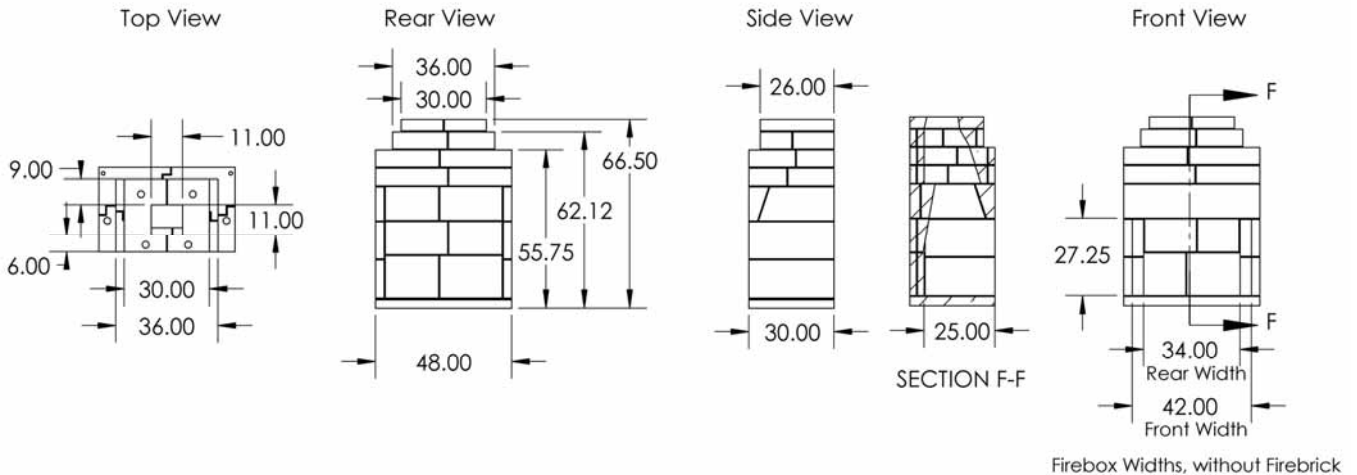
Rear Quarter View



Exploded View



Front View of Actual Kit



Indoor Fireplace Chimney & Chimney Accessories

New Age™ Indoor models are designed to use masonry or UL-103 rated metal chimney flue, and Stone Age has a wide range of chimney components to simplify installation of even the most unique fireplace projects. Clay flue tiles form the heart of the chimney system, with our refractory concrete outer chimney blocks providing the necessary insulation to create a zero-clearance chimney system. A brick ledge is available, to allow masonry finish application to the chimney, without using expensive finish materials in areas where they would not be visible. Offset blocks allow the mason to construct an angled masonry chimney when required for custom applications. For installations where a metal chimney system is preferable, Stone Age offers a masonry-to-metal flue adapter (also called an anchor plate) for use with UL-103 rated metal chimney components. For installations with masonry chimneys extending more than 25 feet in height, install 3/8" to 1/2" thick angle iron across the firebox opening under the lintel piece. Rebar should be placed in reinforcement holes, and anchored to the concrete slab, and all holes should be filled with mortar around the rebar on the firebox, throat and chimney.

Refer to Sections 2, 15 and 19 of Price List

Accessory Items to Complete Installation of NA36IND Model

Item No	Model	Weight
Clay Flue Tile		
SAFLI313	12"t, 13" x 13"w Clay Tile Section, 36" fireplace	40
Chimney Blocks		
SA2323-8	8"t, 23" x 23"w Chimney Blocks, 36" fireplace	116
Brick Ledge		
SA-BL36	33 1/2" x 33 1/2"w Ledge	150
Offset Chimney Blocks		
SA-OSB	4"t Chimney Blocks, allow 2" of offset per block	76
UL-103 Metal Chimney Flue		
SA-I4PPG	14"w x 36"t Insulated, Galvanized, Double-wall Flue	43
SA-I4PPSS	14"w x 36"t Insulated, Stainless Steel, Double-wall Flue	46
SA-I4APG	14"w x 36"t Air-Cooled, Galvanized, Double-wall Flue	43
Metal Chimney Flue Adapter (Anchor Plate)		
SA-I4PA	14"w Metal Flue Adapter, Insulated Pipe	70
SA-I4APA	14"w Metal Flue Adapter, Air-Cooled Pipe	70
Damper		
SA-V936	Throat-Mount Damper, Cast Iron,	60
Firebrick		
SA-S1006	Firebrick - Full Size, Buff, 9" x 4 1/2" x 2 1/2"	8
High-Temperature Mortar		
SA-APRM	Multi-Purpose Ready-Mix Mortar, 5 Gallons	60

SAFLI313



SA2323-8

SA-BL36



SA-OSB



SA-I4PPSS

SA-I4APG



SA-S1006



SA-V936



SA-I4PA



SA-I4APA



Recommended Accessories: Chimney cap, Ash Dump, Clean Out Door, Outside Air Kit.

Web: stoneagemanufacturing.com

Email: info@stoneagemanufacturing.com

Model No. NA42IND

Specifications

42" Zero-Clearance Indoor Fireplace, Certified to UL-127 (US) & ULC-S610 (Canada) Standards, and ICC-ES AC156 Seismic Standard.

Compatible with zero-clearance Stone Age masonry chimney or UL-103 Certified metal chimney systems.

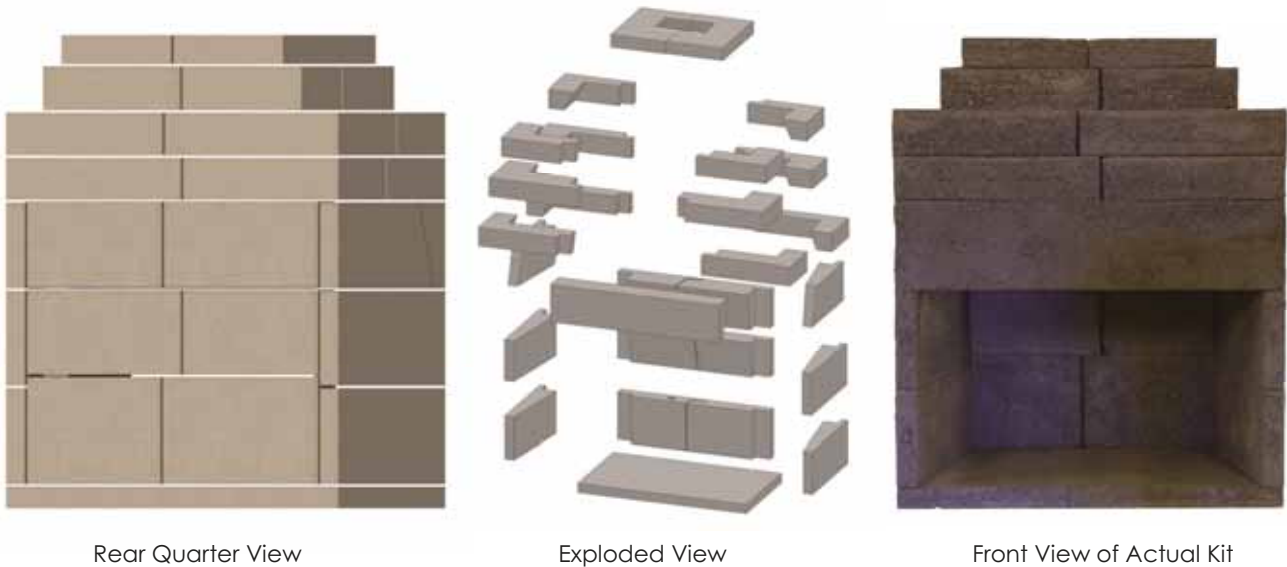
Outside Dimensions (Approximate)

Width	54"
Depth	30"
Height	66 1/2"
Flue Size	13" x 17"
Weight	2500 lbs

Finished Interior Dimensions (Approximate)

Firebox Width	42"
Firebox Depth	20"
Opening Height	24 1/2"

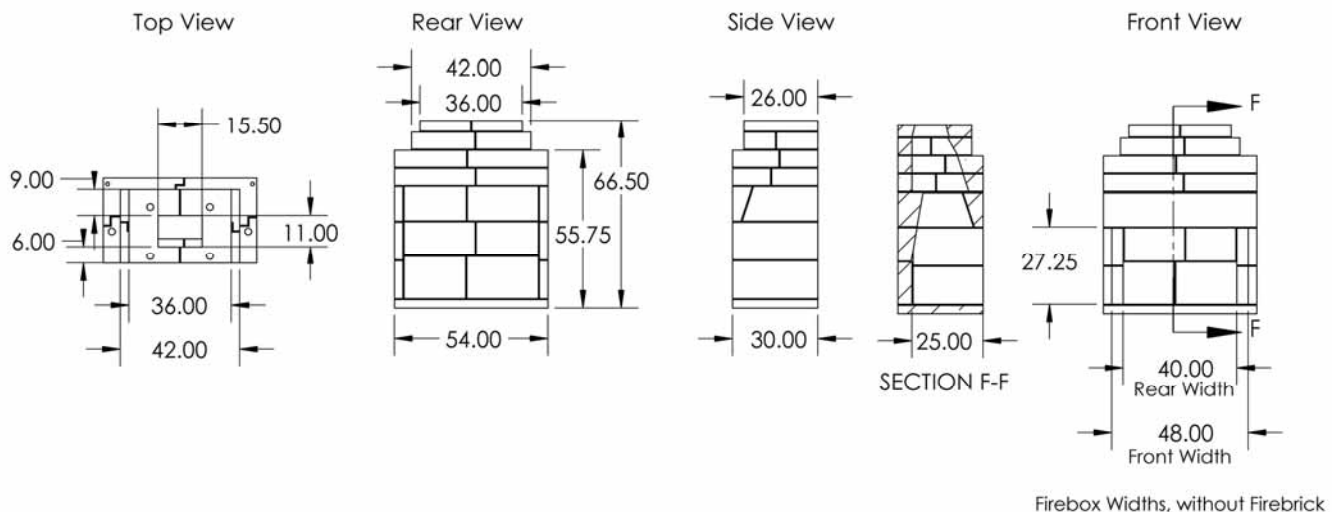
Refer to Section I of Price List



Rear Quarter View

Exploded View

Front View of Actual Kit



Indoor Fireplace Chimney & Chimney Accessories

New Age™ Indoor models are designed to use masonry or UL-103 rated metal chimney flue, and Stone Age has a wide range of chimney components to simplify installation of even the most unique fireplace projects. Clay flue tiles form the heart of the chimney system, with our refractory concrete outer chimney blocks providing the necessary insulation to create a zero-clearance chimney system. A brick ledge is available, to allow masonry finish application to the chimney, without using expensive finish materials in areas where they would not be visible. Offset blocks allow the mason to construct an angled masonry chimney when required for custom applications. For installations where a metal chimney system is preferable, Stone Age offers a masonry-to-metal flue adapter (also called an anchor plate) for use with UL-103 rated metal chimney components. For installations with masonry chimneys extending more than 25 feet in height, install 3/8" to 1/2" thick angle iron across the firebox opening under the lintel piece. Rebar should be placed in reinforcement holes, and anchored to the concrete slab, and all holes should be filled with mortar around the rebar on the firebox, throat and chimney.

Refer to Sections 2, 15 and 19 of Price List

Accessory Items to Complete Installation of NA42IND Model

Item No	Model	Weight
Clay Flue Tile		
SAFL1317	12”t, 13” x 17”w Clay Tile Section, 42” fireplace	40
Chimney Blocks		
SA2226-8	8”t, 22” x 26”w Chimney Blocks, 42” fireplace	116
Brick Ledge		
SA-BL4248	36” x 32”w Ledge	150
Offset Chimney Blocks		
SA-OSB	4”t Chimney Blocks, allow 2”of offset per block	76
UL-103 Metal Chimney Flue		
SA-16PPG	16”w x 36”t Insulated, Galvanized, Double-wall Flue	43
SA-16PPSS	16”w x 36”t Insulated, Stainless Steel, Double-wall Flue	46
SA-16APG	16”w x 36”t Air-Cooled, Galvanized, Double-wall Flue	43
Metal Chimney Flue Adapter (Anchor Plate)		
SA-16PA	16”w Metal Flue Adapter, Insulated Pipe	70
SA-16APA	16”w Metal Flue Adapter, Air-Cooled Pipe	70
Damper		
SA-V942	Throat-Mount Damper, Cast Iron,	70
Firebrick		
SA-S1006	Firebrick - Full Size, Buff, 9” x 4 1/2” x 2 1/2”	8
High-Temperature Mortar		
SA-APRM	Multi-Purpose Ready-Mix Mortar, 5 Gallons	60



Recommended Accessories: Chimney cap, Ash Dump, Clean Out Door, Outside Air Kit.

Web: stoneagemanufacturing.com **Email:** info@stoneagemanufacturing.com

Model No. NA48IND

Specifications

48" Zero-Clearance Indoor Fireplace, Certified to UL-127 (US) & ULC-S610 (Canada) Standards, and ICC-ES AC156 Seismic Standard.

Compatible with zero-clearance Stone Age masonry chimney or UL-103 Certified metal chimney systems.

Outside Dimensions (Approximate)

Width	60"
Depth	30"
Height	72 1/2"
Flue Size	13" x 17"
Weight	2860 lbs

Finished Interior Dimensions (Approximate)

Firebox Width	48"
Firebox Depth	20"
Opening Height	31"

Refer to Section I of Price List



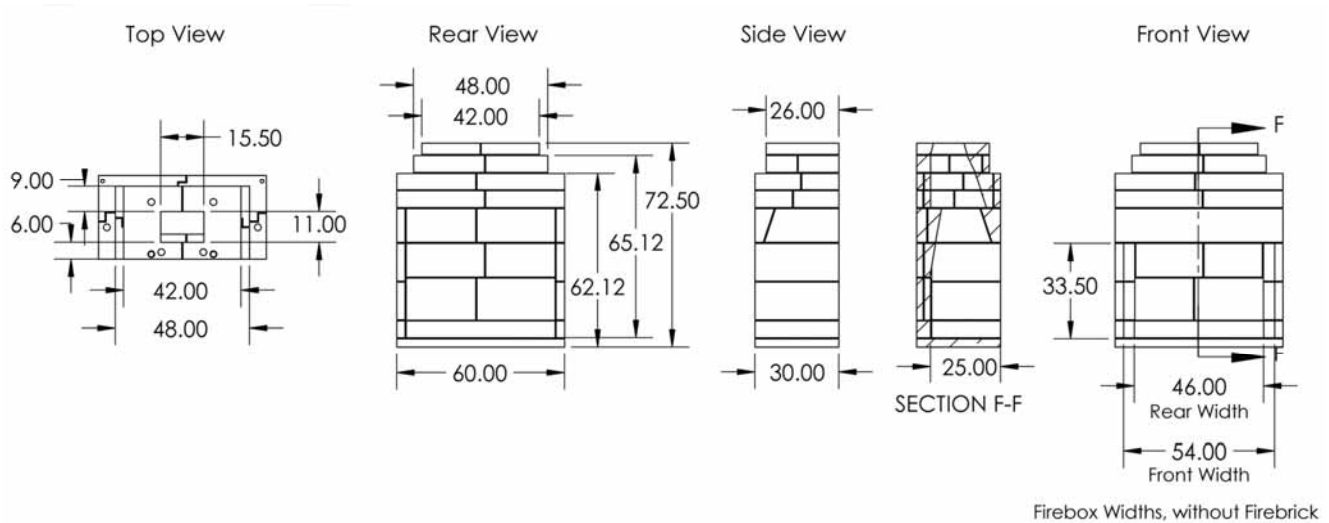
Rear Quarter View



Exploded View



Front View of Actual Kit



Indoor Fireplace Chimney & Chimney Accessories

New Age™ Indoor models are designed to use masonry or UL-103 rated metal chimney flue, and Stone Age has a wide range of chimney components to simplify installation of even the most unique fireplace projects. Clay flue tiles form the heart of the chimney system, with our refractory concrete outer chimney blocks providing the necessary insulation to create a zero-clearance chimney system. A brick ledge is available, to allow masonry finish application to the chimney, without using expensive finish materials in areas where they would not be visible. Offset blocks allow the mason to construct an angled masonry chimney when required for custom applications. For installations where a metal chimney system is preferable, Stone Age offers a masonry-to-metal flue adapter (also called an anchor plate) for use with UL-103 rated metal chimney components. For installations with masonry chimneys extending more than 25 feet in height, install 3/8" to 1/2" thick angle iron across the firebox opening under the lintel piece. Rebar should be placed in reinforcement holes, and anchored to the concrete slab, and all holes should be filled with mortar around the rebar on the firebox, throat and chimney.

Refer to Sections 2, 15 and 19 of Price List

Accessory Items to Complete Installation of NA48IND Model

Item No	Model	Weight
Clay Flue Tile		
SAFL1317	12”t, 13” x 17”w Clay Tile Section, 48” fireplace	40
Chimney Blocks		
SA2226-8	8”t, 22” x 26”w Chimney Blocks, 48” fireplace	116
Brick Ledge		
SA-BL4248	36” x 32”w Ledge	150
Offset Chimney Blocks		
SA-OSB	4”t Chimney Blocks, allow 2” of offset per block	76
UL-103 Metal Chimney Flue		
SA-I6PPG	16”w x 36”t Insulated, Galvanized, Double-wall Flue	43
SA-I6PPSS	16”w x 36”t Insulated, Stainless Steel, Double-wall Flue	46
SA-I6APG	16”w x 36”t Air-Cooled, Galvanized, Double-wall Flue	43
Metal Chimney Flue Adapter (Anchor Plate)		
SA-I6PA	16”w Metal Flue Adapter, Insulated Pipe	70
SA-I6APA	16”w Metal Flue Adapter, Air-Cooled Pipe	70
Damper		
SA-V948	Throat-Mount Damper, Cast Iron,	80
Firebrick		
SA-S1006	Firebrick - Full Size, Buff, 9” x 4 1/2” x 2 1/2”	8
High-Temperature Mortar		
SA-APRM	Multi-Purpose Ready-Mix Mortar, 5 Gallons	60



Recommended Accessories: Chimney cap, Ash Dump, Clean Out Door, Outside Air Kit.

Web: stoneagemanufacturing.com

Email: info@stoneagemanufacturing.com

Model No. NA60IND

Specifications

60" Zero-Clearance Indoor Fireplace, Certified to UL-127 (US) & ULC-S610 (Canada) Standards, and ICC-ES AC156 Seismic Standard.

Compatible with zero-clearance Stone Age masonry chimney or UL-103 Certified metal chimney systems.

Outside Dimensions (Approximate)

Width	72"
Depth	30"
Height	85"
Flue Size	13" x 13" (Dual)
Weight	3900 lbs

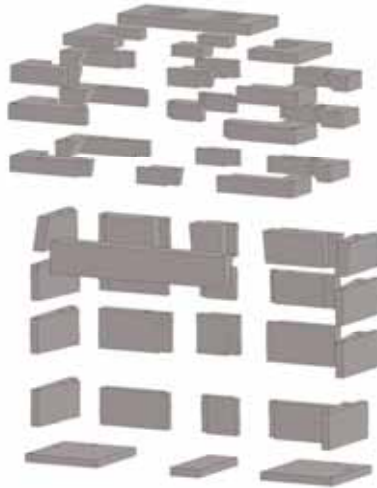
Finished Interior Dimensions (Approximate)

Firebox Width	60"
Firebox Depth	20"
Opening Height	38"

Refer to Section I of Price List



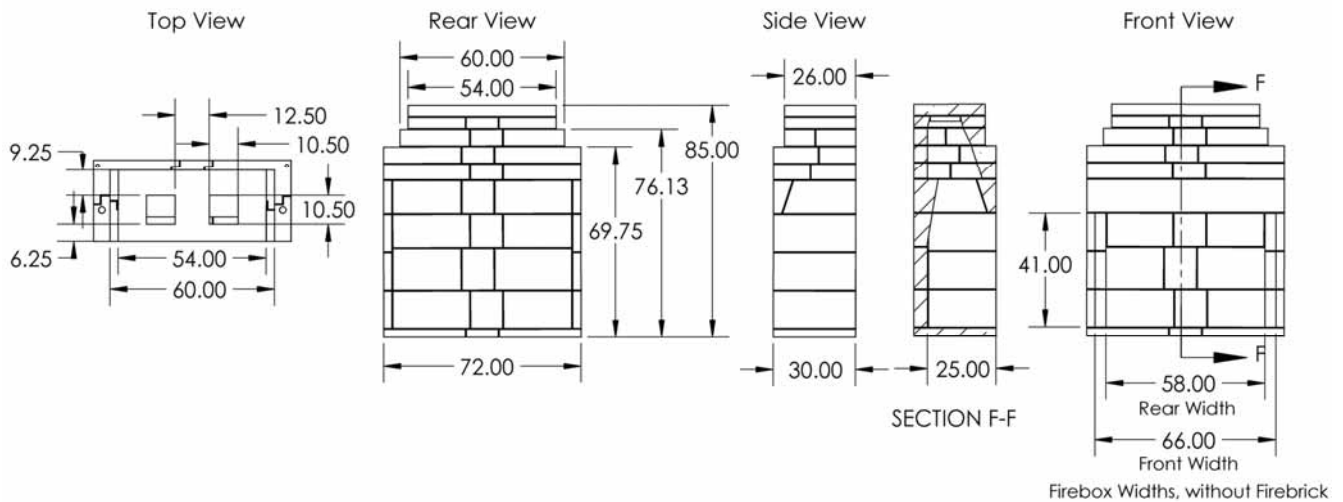
Rear Quarter View



Exploded View



Front View of Actual Kit



Indoor Fireplace Chimney & Chimney Accessories

New Age™ Indoor models are designed to use masonry or UL-103 rated metal chimney flue, and Stone Age has a wide range of chimney components to simplify installation of even the most unique fireplace projects. Clay flue tiles form the heart of the chimney system, with our refractory concrete outer chimney blocks providing the necessary insulation to create a zero-clearance chimney system. A brick ledge is available, to allow masonry finish application to the chimney, without using expensive finish materials in areas where they would not be visible. Offset blocks allow the mason to construct an angled masonry chimney when required for custom applications. For installations where a metal chimney system is preferable, Stone Age offers a masonry-to-metal flue adapter (also called an anchor plate) for use with UL-103 rated metal chimney components. For installations with dual masonry chimneys extending more than 12 feet in height, install 3/8" to 1/2" thick angle iron across the firebox opening under the lintel piece. Rebar should be placed in reinforcement holes, and anchored to the concrete slab, and all holes should be filled with mortar around the rebar on the firebox, throat and chimney.

Refer to Sections 2, 15 and 19 of Price List

Accessory Items to Complete Installation of NA60IND Model

Item No	Model	Weight
Clay Flue Tile		
SAFL1313	12"t, 13" x 13"w Clay Tile Section, 60" fireplace	40
Chimney Blocks		
SA2323-8	8"t, 23" x 23"w Chimney Blocks, 60" fireplace	116
Brick Ledge		
SA-BL36	33 1/2" x 33 1/2"w Ledge	150
Offset Chimney Blocks		
SA-OSB	4"t Chimney Blocks, allow 2" of offset per block	76
UL-103 Metal Chimney Flue		
SA-I4PPG	14"w x 36"t Insulated, Galvanized, Double-wall Flue	43
SA-I4PPSS	14"w x 36"t Insulated, Stainless Steel, Double-wall Flue	46
SA-I4APG	14"w x 36"t Air-Cooled, Galvanized, Double-wall Flue	43
Metal Chimney Flue Adapter (Anchor Plate)		
SA-I4PA	14"w Metal Flue Adapter, Insulated Pipe	70
SA-I4APA	14"w Metal Flue Adapter, Air-Cooled Pipe	70
Damper		
SA-V960	Throat-Mount Damper, Cast Iron,	75
Firebrick		
SA-SI006	Firebrick - Full Size, Buff, 9" x 4 1/2" x 2 1/2"	8
High-Temperature Mortar		
SA-APRM	Multi-Purpose Ready-Mix Mortar, 5 Gallons	60

SAFL1313



SA2323-8

SA-BL36



SA-OSB



SA-I4PPSS

SA-I4APG



Note: The 60" model uses 2 chimney flue systems placed side-by-side. Please order 2x the linear feet of flue required for the project.

SA-SI006



SA-V960



SA-I4PA



SA-I4APA



Recommended Accessories: Chimney cap, Ash Dump, Clean Out Door, Outside Air Kit.

Web: stoneagemanufacturing.com

Email: info@stoneagemanufacturing.com

Model No. NA72IND

Specifications

72" Zero-Clearance Indoor Fireplace, Certified to UL-127 (US) & ULC-S610 (Canada) Standards, and ICC-ES AC156 Seismic Standard.

Compatible with zero-clearance Stone Age masonry chimney or UL-103 Certified metal chimney systems.

Outside Dimensions (Approximate)

Width	84"
Depth	30"
Height	85"
Flue Size	13" x 17" (Dual)
Weight	4900 lbs

Finished Interior Dimensions (Approximate)

Firebox Width	72"
Firebox Depth	20"
Opening Height	38"

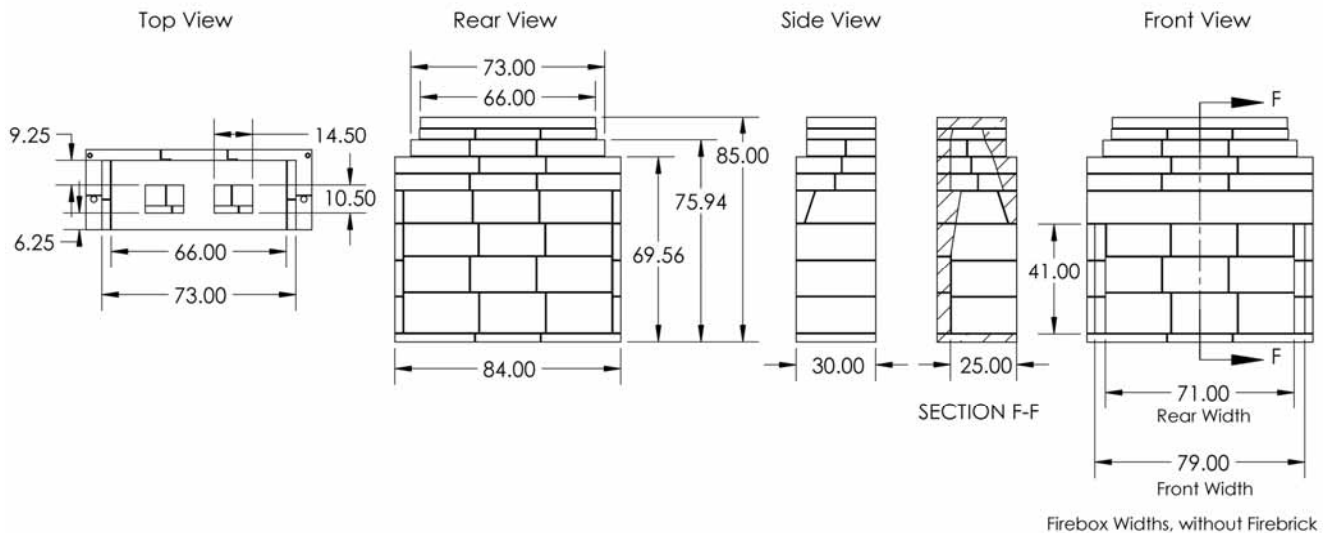
Refer to Section I of Price List



Rear Quarter View

Exploded View

Front View of Actual Kit



Indoor Fireplace Chimney & Chimney Accessories

New Age™ Indoor models are designed to use masonry or UL-103 rated metal chimney flue, and Stone Age has a wide range of chimney components to simplify installation of even the most unique fireplace projects. Clay flue tiles form the heart of the chimney system, with our refractory concrete outer chimney blocks providing the necessary insulation to create a zero-clearance chimney system. A brick ledge is available, to allow masonry finish application to the chimney, without using expensive finish materials in areas where they would not be visible. Offset blocks allow the mason to construct an angled masonry chimney when required for custom applications. For installations where a metal chimney system is preferable, Stone Age offers a masonry-to-metal flue adapter (also called an anchor plate) for use with UL-103 rated metal chimney components. For installations with dual masonry chimneys extending more than 12 feet in height, install 3/8" to 1/2" thick angle iron across the firebox opening under the lintel piece. Rebar should be placed in reinforcement holes, and anchored to the concrete slab, and all holes should be filled with mortar around the rebar on the firebox, throat and chimney.

Refer to Sections 2, 15 and 19 of Price List

Accessory Items to Complete Installation of NA72IND Model

Item No	Model	Weight
Clay Flue Tile		
SAFL1317	12”t, 13” x 17”w Clay Tile Section, 72” fireplace	40
Chimney Blocks		
SA2226-8	8”t, 22” x 26”w Chimney Blocks, 72” fireplace	116
Brick Ledge		
SA-BL4248	36” x 32”w Ledge	150
Offset Chimney Blocks		
SA-OSB	4”t Chimney Blocks, allow 2” of offset per block	76
UL-103 Metal Chimney Flue		
SA-I6PPG	16”w x 36”t Insulated, Galvanized, Double-wall Flue	43
SA-I6PPSS	16”w x 36”t Insulated, Stainless Steel, Double-wall Flue	46
SA-I6APG	16”w x 36”t Air-Cooled, Galvanized, Double-wall Flue	43
Metal Chimney Flue Adapter (Anchor Plate)		
SA-I6PA	16”w Metal Flue Adapter, Insulated Pipe	70
SA-I6APA	16”w Metal Flue Adapter, Air-Cooled Pipe	70
Damper		
SA-V972	Throat-Mount Damper, Cast Iron,	100
Firebrick		
SA-S1006	Firebrick - Full Size, Buff, 9” x 4 1/2” x 2 1/2”	8
High-Temperature Mortar		
SA-APRM	Multi-Purpose Ready-Mix Mortar, 5 Gallons	60

Note: The 72” model uses 2 chimney flue systems placed side-by-side. Please order 2x the linear feet of flue required for the project.

SAFL1317



SA2226-8

SA-BL4248



SA-OSB



SA-I6PPSS

SA-I6APG



SA-I6PA

SA-I6APA



SA-S1006



SA-V972



Recommended Accessories: Chimney cap, Ash Dump, Clean Out Door, Outside Air Kit.

Web: stoneagemanufacturing.com

Email: info@stoneagemanufacturing.com

The Stone Age fireplace was born of a desire to simplify fireplace construction for masons and consumers, while delivering consistently outstanding quality and performance in outdoor applications.

Superior design and materials are the hallmark of Stone Age products, and this dedication to quality begins with our fireplace kits.

All of our fireplace kits are made from Stone Age's proprietary high-temperature tolerant, high-strength concrete mix (over 3500 psi), with reinforced solid wall construction, which results in a much stronger and more durable fireplace than lighter weight products that may look similar at a glance. With Stone Age, you've got a product you can be confident in for years to come.

Our elegantly simple designs draft well in outdoor conditions, with minimal smoke spillage into the viewing area of the fireplace, allowing consumers to enjoy their fireplaces at times when owners of lesser fireplaces might be forced indoors.

Our Veranda™ and Patio Series™ models further simplify construction for the do-it-yourselfer without compromising quality or performance.

Outdoor Fireplace Models



Indoor & Outdoor Fireplace Models



Packaging and Shipping Information

Stone Age Standard, Contractor Series, Patio, Veranda and New Age™ 39" - 51" Fireplaces, Fire Pits ship on a single pallet per unit.

New Age™ 63" and 75" kits ship on 2 or more pallets, depending upon size.

Smaller accessories generally will be shipped in corrugated paper boxes, depending upon the item.



Fireplace Construction Overview

Installation of the Stone Age fireplace is very simple. Project and site preparation should include pouring a reinforced concrete footing for the unit, per the instructions included with the fireplace kit. Depth of the pad and specific reinforcement requirements, such as piercing, should be determined based on size of the unit, type of finish material to be applied, local soil stability, climate and building codes.



Once the kit is assembled, finish application may begin. Any masonry-compatible finish, such as stucco, tile, brick, man-made stone, pavers or natural stone, may be used with all Stone Age products, and may be applied directly to the outside of the units. Customization is very simple, as standard concrete block may be directly applied around any unit to create a different shape or profile, before application of the finish material.

Stone Age Patio Series™ Fireplaces

Stone Age Patio Series fireplaces are perfect for applications where a simplified, block-friendly solution is required. Offering the quality, durability and performance advantages of the Stone Age fireplace, without the drawbacks of many similarly sized block or other non-certified fireplaces.

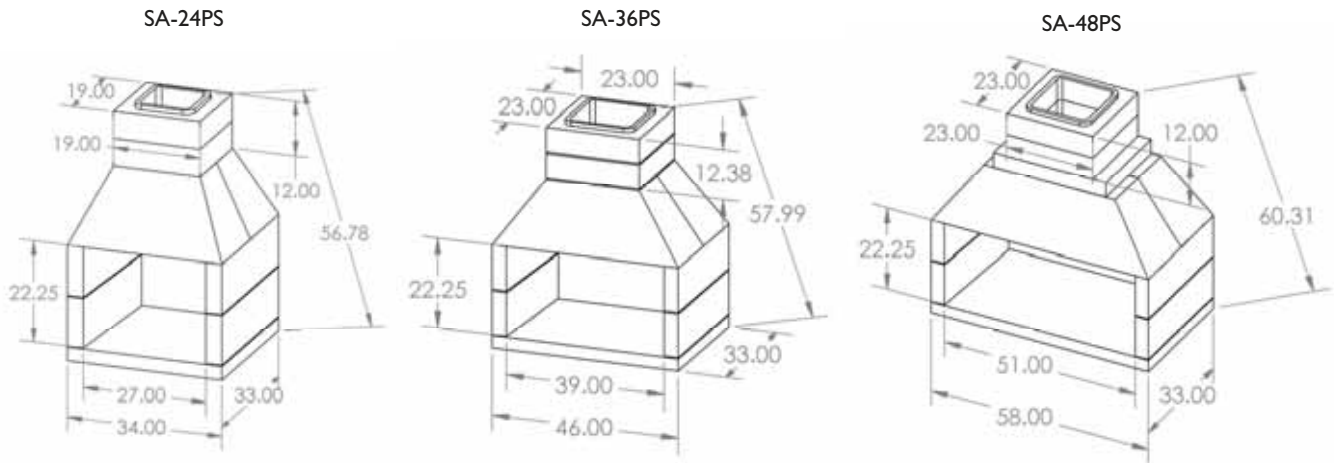
Outdoor applications only, 8' minimum clearance to combustibles required. Maximum of 4 additional feet of chimney may be added to these models.

Available with 24", 36" or 48" firebox opening width. Firebox opening height is 22", straight lintel only.

Item No	Model	Weight
SA-24PS	24" with Straight Lintel	1100
SA-36PS	36" with Straight Lintel	1500
SA-48PS	48" with Straight Lintel	1900



Refer to Section 3 of Price List



Accessory Items to Complete Installation of Patio Series Fireplaces

Item No	Model	Weight
---------	-------	--------

Chimney Sections

SAFL1313-6	6"t Small width for 24" Patio Series kits	100
SAFL1717-6	6"t Large for 36" - 48" Patio Series kits	100

Note: Chimney may be extended a maximum of 4 additional feet on Patio Series fireplaces.

Firebrick

SA-S1001	Firebrick - Splits, 9" x 4 1/2" x 1 1/4"	4
----------	--	---

Note: Firebrick is optional and is not required on Patio Series Fireplaces.

High-Temperature Mortar

SA-APRM	Multi-Purpose Ready-Mix Mortar, 5 Gallons	60
---------	---	----

Refer to Sections 8 and 19 of Price List

Recommended Accessories: Chimney cap, log grate.

SAFL1717-6



SA-S1001



SA-APRM





Veranda™ Fireplaces

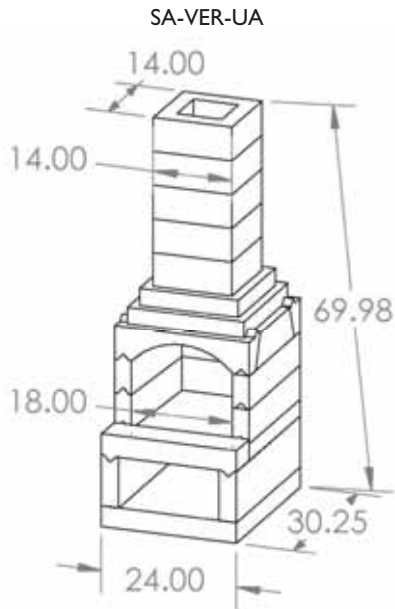
Designed with smaller settings in mind, Veranda™ fireplaces give the consumer a true, masonry wood-burning fireplace in the smallest functional package available. Its unique tongue and groove pieces allow easy assembly by a mason or the consumer, without traditional mortar. Compatible with all masonry finishes.

Outdoor applications only.

Available with 18" firebox opening width. Firebox opening height is 15 1/2" with arched lintel only.

Item No	Model	Weight
SA-VER-UA	Unassembled	1000

Refer to Section 4 of Price List



Accessory Items to Complete Installation of Veranda Fireplaces

Item No	Model	Weight
Chimney Sections		
SAFLVER	6"t for Veranda™ kits	41
High-Temperature Mortar		
SA-APRM	Multi-Purpose Ready-Mix Mortar, 5 Gallons	60
Concrete Adhesive		
SA-CADH	Concrete adhesive, for Veranda™	1

SAFLVER



SA-APRM



SA-CADH



Refer to Sections 8 and 19 of Price List

Recommended Accessories: Chimney cap, log grate.

Stone Age Contractor Series Fireplaces

The Contractor Series offers Stone Age design and materials with an emphasis on value. The Standard kit is distilled down to its essential components of fireplace and chimney, and additional items are left optional, to give you a fireplace comparable to competing models with Stone Age quality and innovation.

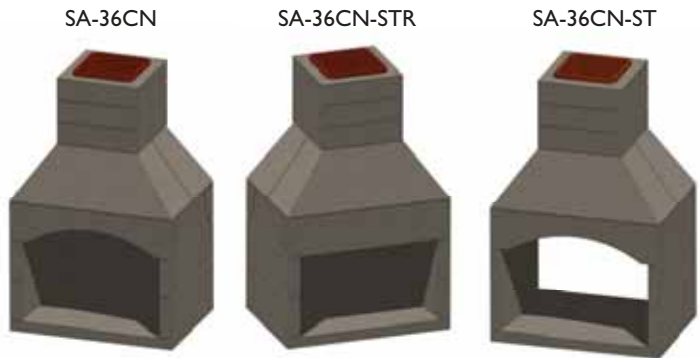
The Contractor Series is the perfect choice for applications where a customized profile is desired, or for projects where the lower wood storage area of the Standard fireplace is not needed.

UL-127/ULC-S610 Certified for indoor or outdoor applications.

Available with 24", 36" or 48" firebox opening width, single-sided or See-Thru. Firebox opening height is 28" arched lintel or 22" straight.



Item No	Model	Weight
SA-24CN	24" with Arched Lintel	1540
SA-24CN-STR	24" with Straight Lintel	1540
SA-24CN-ST	24" See-Thru, Arched Lintel	1540
SA-24CN-ST-STR	24" See-Thru, Straight Lintel	1540
SA-36CN	36" with Arched Lintel	1760
SA-36CN-STR	36" with Straight Lintel	1760
SA-36CN-ST	36" See-Thru, Arched Lintel	1760
SA-36CN-ST-STR	36" See-Thru, Straight Lintel	1760
SA-48CN	48" with Arched Lintel	2120
SA-48CN-STR	48" with Straight Lintel	2120
SA-48CN-ST	48" See-Thru, Arched Lintel	2120
SA-48CN-ST-STR	48" See-Thru, Straight Lintel	2120



Refer to Section 5 of Price List

Accessory Items to Complete Installation of Contractor Series Fireplaces

Item No	Model	Weight
Chimney Sections		
SAFL1313-6	6"t Small width for 24" Contractor Series kits	100
SAFL1717-6	6"t Large for 36" - 48" Contractor Series kits	100
Firebrick		
SA-S1001	Firebrick - Splits, 9" x 4 1/2" x 1 1/4"	4
High-Temperature Mortar		
SA-APRM	Multi-Purpose Ready-Mix Mortar, 5 Gallons	60

SAFL1717-6



SA-S1001



SA-APRM

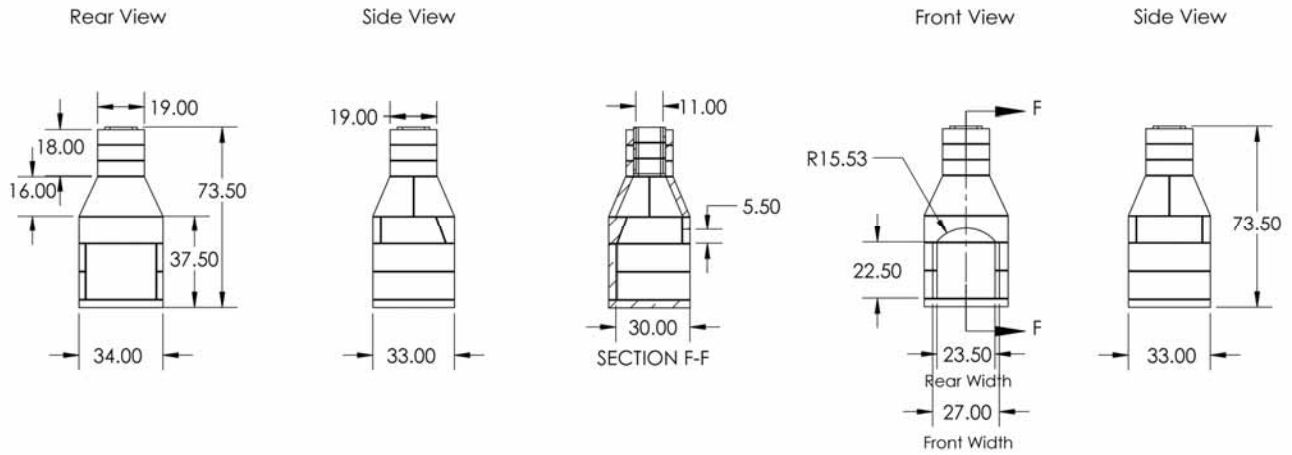


Refer to Sections 8 and 19 of Price List

Recommended Accessories: Chimney cap, log grate.

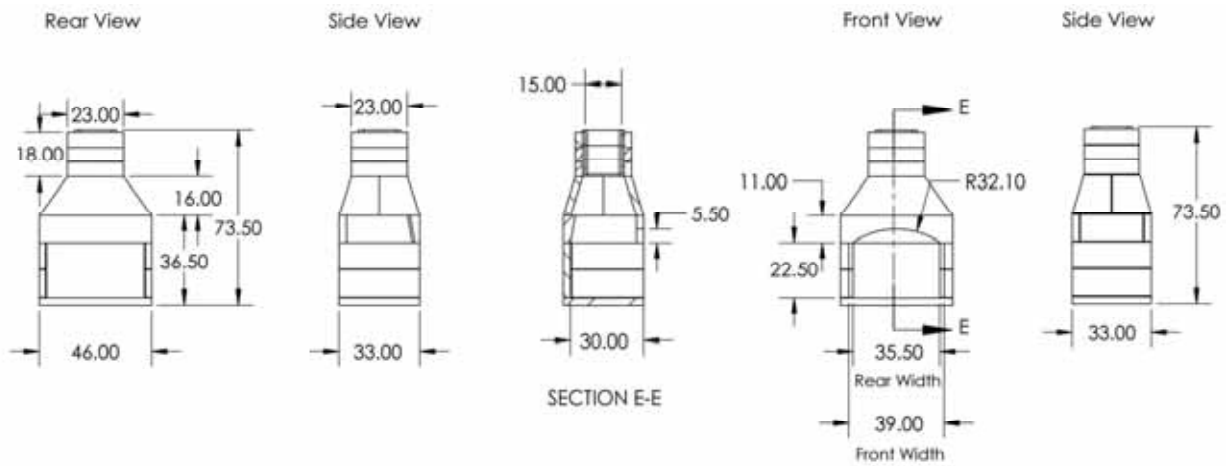
SA-24CN

SA-24CN-ST



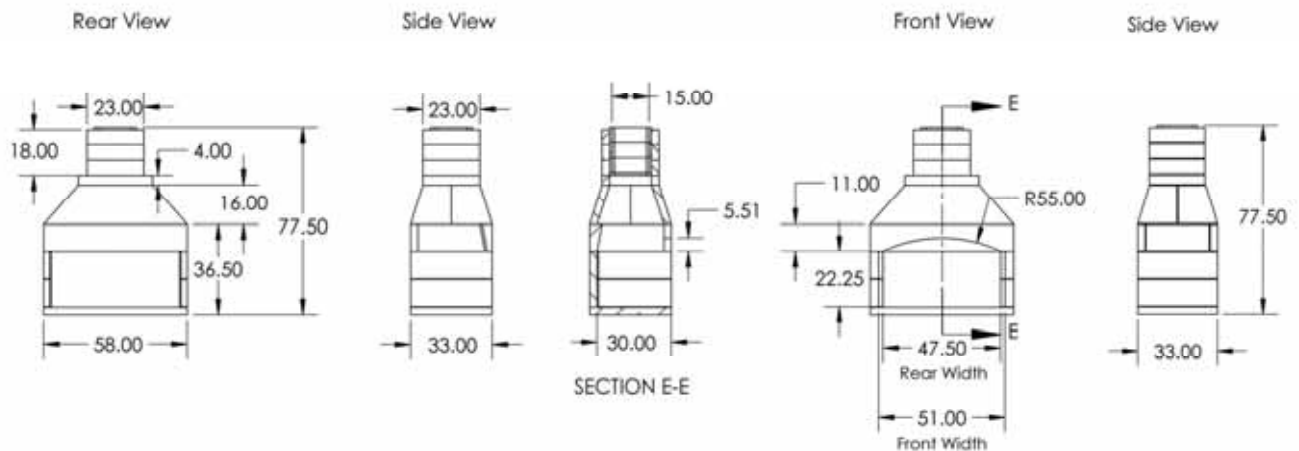
SA-36CN

SA-36CN-ST



SA-48CN

SA-48CN-ST



Note: Overall dimensions for Contractor Series See-Through models are same as single-sided models.

Stone Age Standard Model Fireplaces

Stone Age fireplaces are complete kits, with everything needed to construct the fireplace included with the unit, except mortar and finishing materials.

Chimney sections, firebrick, hearth and support legs are all part of the package, to simplify your preparation and installation. Arched lintels are standard, with straight lintels as a no charge option. Also available in See-Thru Models.

UL-127/ULC-S610 Certified for indoor or outdoor applications.

Available with 24", 36" or 48" firebox opening width. Firebox opening height is 28" arched lintel or 22" straight.



Item No	Model	Weight
SA24	24" with Arched Lintel	2200
SA24-STR	24" with Straight Lintel	2200
SA24-ST	24" See-Thru, Arched Lintel	2200
SA24-STSTR	24" See-Thru, Straight Lintel	2200
SA36	36" with Arched Lintel	2800
SA36-STR	36" with Straight Lintel	2800
SA36-ST	36" See-Thru, Arched Lintel	2800
SA36-STSTR	36" See-Thru, Straight Lintel	2800
SA48	48" with Arched Lintel	3100
SA48-STR	48" with Straight Lintel	3100
SA48-ST	48" See-Thru, Arched Lintel	3100
SA48-STSTR	48" See-Thru, Straight Lintel	3100



Refer to Section 6 of Price List

Accessory Items to Complete Installation of Standard Model Fireplaces

Item No	Model	Weight
Chimney Sections		
SAFL1313-6	6"t Small width for 24" Standard Model kits	100
SAFL1717-6	6"t Large for 36" - 48" Standard Model kits	100
High-Temperature Mortar		
SA-APRM	Multi-Purpose Ready-Mix Mortar, 5 Gallons	60

SAFL1717-6



SA-APRM

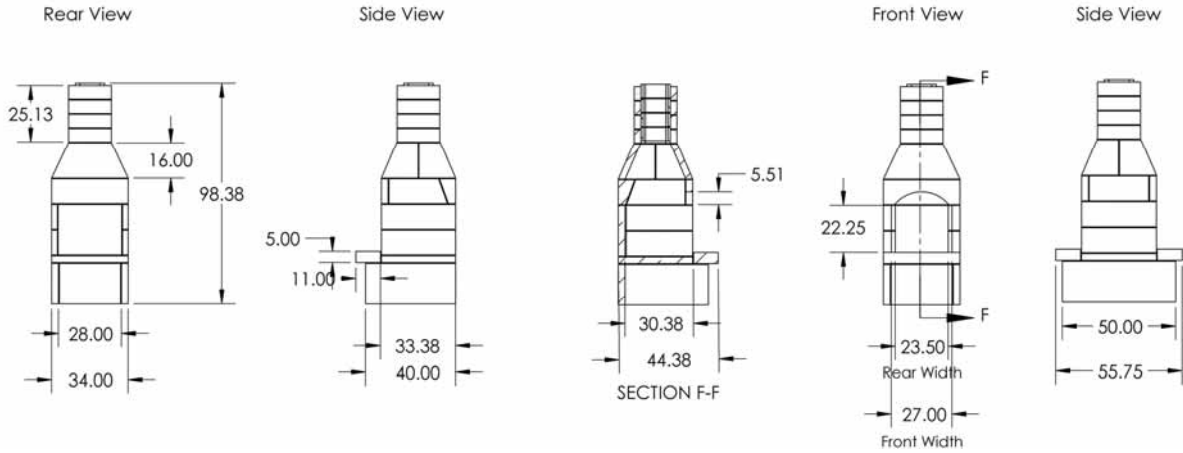


Refer to Sections 8 and 19 of Price List

Recommended Accessories: Chimney cap, log grate.

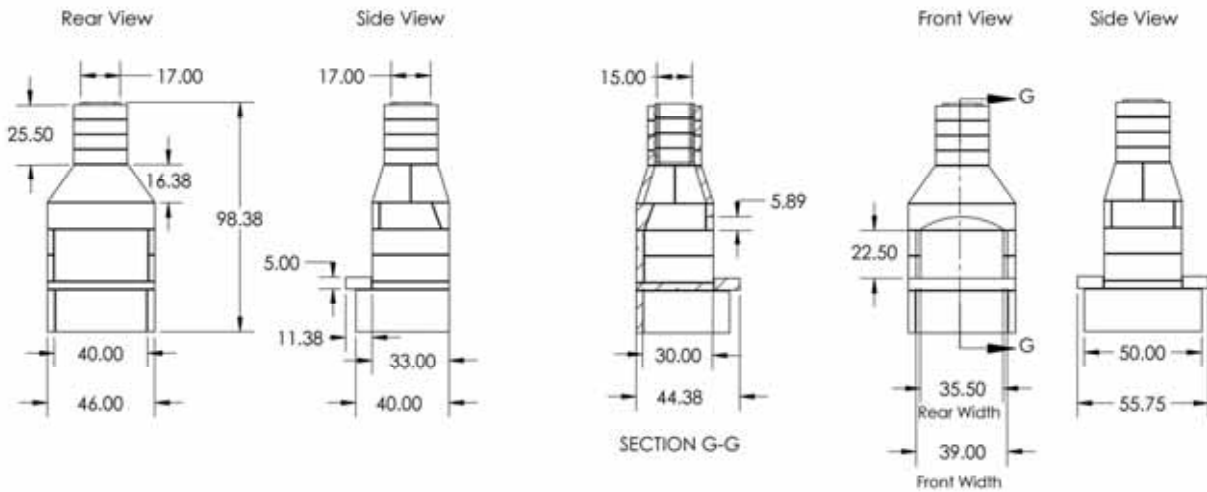
SA24

SA24-ST



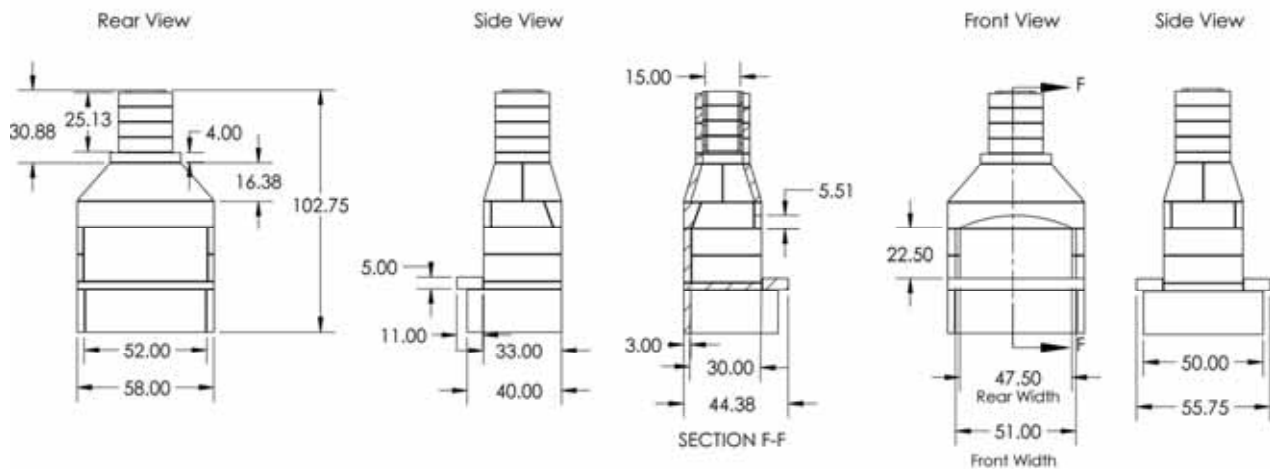
SA36

SA36-ST



SA48

SA48-ST



Note: Overall depth is greater on See-Through Standard models than single-sided models, however, other dimensions are unchanged.

Stone Age Stoned Fire Model Fireplaces

Stoned Fire kits offer the performance and style of our Standard fireplaces, but feature a base that combines the floor, riser legs and hearth into a single piece, allowing the fireplace to be moved into place after assembly, making it perfect for applications where portability is desirable, such as movable displays. Available with arched (standard) or straight lintels.

UL-127/ULC-S610 Certified for indoor or outdoor applications.

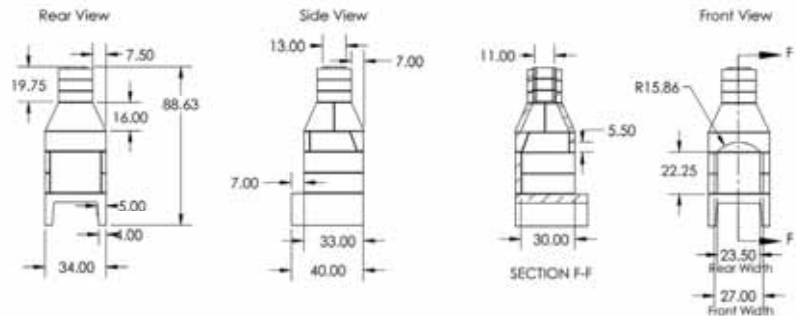
Item No	Model	Weight
SA-24SF-UA	24" Stoned Fire, Unassembled	2050
SA-36SF-UA	36" Stoned Fire, Unassembled	2500

SA36-SF-UA

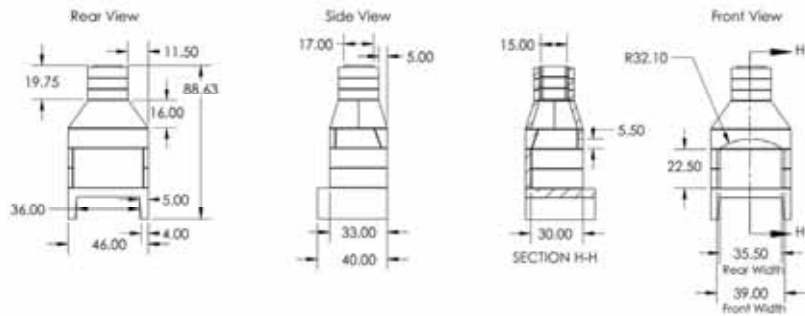


Refer to Section 6 of Price List

SA24-SF-UA



SA36-SF-UA



Stoned Fire One-Piece Base

Accessory Items to Complete Installation of Stoned Fire Model Fireplaces

Item No	Model	Weight
Chimney Sections		
SAFL1313-6	6"t Small width for 24" Standard Model kits	100
SAFL1717-6	6"t Large for 36" - 48" Standard Model kits	100
High-Temperature Mortar		
SA-APRM	Multi-Purpose Ready-Mix Mortar, 5 Gallons	60

SAFL1717-6



SA-APRM



Refer to Sections 8 and 19 of Price List

Recommended Accessories: Chimney cap, log grate.

New Age™ Outdoor Fireplace

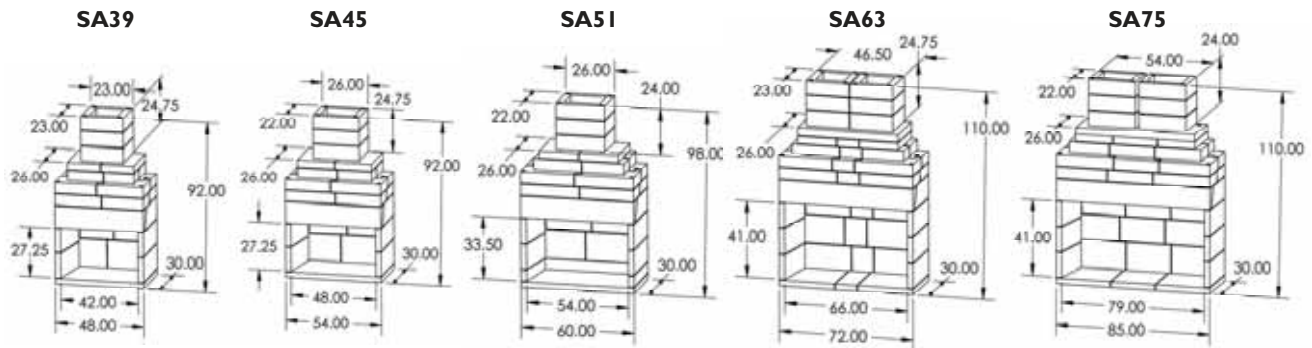


The New Age™ Outdoor fireplace provides Stone Age performance in a unique, block-friendly configuration. New Age™ models are perfect for contemporary or non-traditional applications, and may be used with our concrete chimney flue sections or with UL-103 metal flue systems. Kits include three 8" tall unlined chimney sections for outdoor use, and firebrick. UL-127/ULC-S610 Certified for indoor or outdoor applications.

Available with 39", 45", 51", 63" or 75" firebox opening width. Firebox opening height is 27" for 39"- 45" kits, 33 1/2" for 51" kits and 41" for 63"- 75" kits, straight lintel, or with new optional arched lintel for 39", 45" and 51" models.

Item No	Model	Weight
SA39	New Age™ Outdoor with Straight Lintel	2950
SA39A	New Age™ Outdoor with Arched Lintel	2950
SA45	New Age™ Outdoor with Straight Lintel	3180
SA45A	New Age™ Outdoor with Arched Lintel	3180
SA51	New Age™ Outdoor with Straight Lintel	3560
SA51A	New Age™ Outdoor with Arched Lintel	3560
SA63	New Age™ Outdoor with Straight Lintel	4580
SA75	New Age™ Outdoor with Arched Lintel	5660

Refer to Section 7 of Price List



Accessory Items to Complete Installation of New Age™ Outdoor Fireplaces

Item No	Model	Weight
Chimney Sections		
SA2323-8	8"t New Age™ 39" & 60" Outer Section	116
SA2226-8	8"t New Age™ 45", 51" & 75" Outer Section	120
High-Temperature Mortar		
SA-APRM	Multi-Purpose Ready-Mix Mortar, 5 Gallons	60

SA2226-8



SA-APRM



Refer to Sections 8 and 28 of Price List

Recommended Accessories: Chimney cap, log grate.

Fireplace Opening Height Extensions

Stone Age Extension kits create a taller fireplace opening, for a larger viewing area.

Available for 36" and 48" Stone Age models, in Standard or See-Thru, and for all New Age™ Fireplace models.

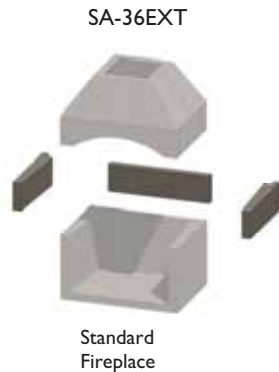
Each Extension kit adds 11 1/2" to the Standard and See-Thru models and 14" to the New Age™ models. Kits do not include firebrick.

Item No	Model	Weight
SA-36EXT	36" Standard Fireplace	175
SA-48EXT	48" Standard Fireplace	200
SA-STEXT	See-Thru Fireplace - All Sizes	100
SA-N3639EXT	36" & 39" New-Age™ Fireplaces	300
SA-N4245EXT	42" & 45" New-Age™ Fireplaces	350
SA-N4851EXT	48" & 51" New-Age™ Fireplaces	400
SA-N6063EXT	60" & 63" New-Age™ Fireplace	450
SA-N7275EXT	72" & 75" New-Age™ Fireplace	500

SA-36 & SA-36EXT



Refer to Section 9 of Price List



Portable Fireplace & Oven Footings



Stone Age Portable Footings are designed for use with tradeshow installations, demos, or other applications where movement of the fireplace or oven is required after assembly. Steel reinforced, with forklift rails molded into unit.

Item No	Model	Weight
SA24PF	Standard 24" Fireplace Footing	320
SA24PF-ST	See-Thru 24" Fireplace Footing	420
SA36PF	Standard 36" Fireplace Footing	540
SA36PF-ST	See-Thru 36" Fireplace Footing	640
SA48PF	Standard 48" Fireplace Footing	640
SA48PF-ST	See-Thru 48" Fireplace Footing	750
SA39PF	New Age™ 39" Fireplace Footing	540
SA45PF	New Age™ 45" Fireplace Footing	600
SA51PF	New Age™ 51" Fireplace Footing	640
SA-MPO-36PF	Mezzo™ Pizza Oven Footing	320
SA-APO-48PF	Amerigo™ Pizza Oven Footing	580

Refer to Section 10 of Price List

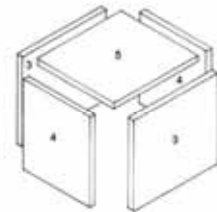
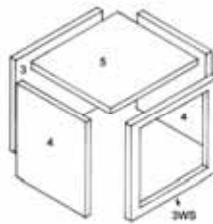
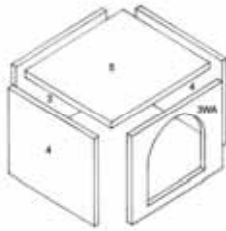
Fireplace Wood Storage Boxes

Stone Age Wood Storage Boxes are an alternative to conventional wood storage arrangements, and create the foundation for a wide range of custom fireplace profiles. Available for Standard, Contractor Series, and New Age™ models, with arched and square openings, or with no opening for custom arches or other modification. 36" wide, 36" tall, 33" deep for Standard Fireplaces, NA models are 30" deep for New Age™ fireplaces.



Item No	Model	Weight
SA-WCA	Standard Fireplace, Arched Opening	585
SA-WCS	Standard Fireplace, Square Opening	585
SA-WCN	Standard Fireplace, No Opening	650
SA-WCA-NA	New Age™ Fireplace, Arched Opening	585
SA-WCS-NA	New Age™ Fireplace, Square Opening	585
SA-WCN-NA	New Age™ Fireplace, No Opening	650

Refer to Sections 11 & 12 of Price List

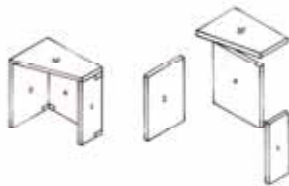


Recommended Accessories: Wood cabinet doors, concrete adhesive, Stone Age Multi-Purpose Ready-Mix.



Angled Storage Adapter Kits

Angled Storage Adapter kits facilitate the installation of side-mounted wood storage boxes for angled or corner-mounted fireplaces, creating another unique customization option. Kit top angle is 22.5°.



Item No	Model	Weight
SA-WAA	Angled Storage Adapter Kit- Standard	155
SA-WAA -NA	Angled Storage Adapter Kit-New Age™	155

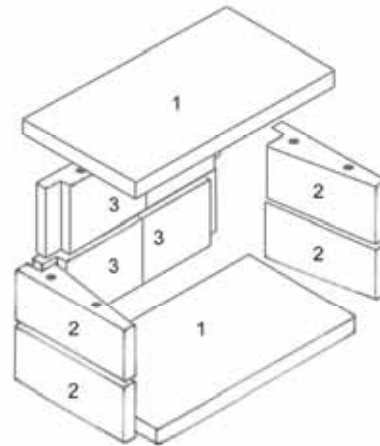
Refer to Sections 11 & 12 of Price List

New Age™ Vent-Free Fireplaces

New Age™ Vent-Free fireplaces give you Stone Age quality in a true masonry fireplace option for scratch-built vent-free applications. Available with 36” or 42” firebox opening width. Firebox opening height is 28”.

Item No	Model	Weight
NA36VF	36” New Age™ Vent-Free	1500
NA42VF	42” New Age™ Vent-Free	1725

Refer to Section 13 of Price List



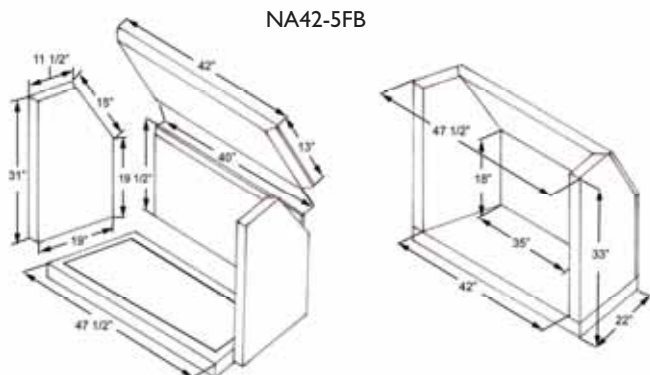
New Age 5 - Piece Indoor Fireboxes

New Age™ 5-piece fireboxes allow the experienced mason to greatly speed up the process of scratch-building a fireplace, by removing one of the most labor-intensive steps, creation of the firebox from firebrick. Using our high-temperature refractory concrete, with an integral buff color, the 5-piece firebox can be assembled in minutes. 2-1/2” thick walls provide plenty of insulation, and isolate the heat of the fire from the cinderblock behind it.

Available with 36” or 42” firebox opening width.



Item No	Model	Weight
NA36-5FB	36” New Age™ 5-Piece Firebox	400
NA42-5FB	42” New Age™ 5-Piece Firebox	460

Refer to Section 14 of Price List



Chimney Dampers

Stone Age offers two styles of chimney dampers, top-mount models, for use with Standard Stone Age Fireplaces, Contractor Series fireplaces, Vecchio™ pizza ovens or brick ovens, which use a stainless steel cable actuator inside the chimney flue, or throat-mount models with internal lever control, for use with the New Age™ indoor fireplace only.

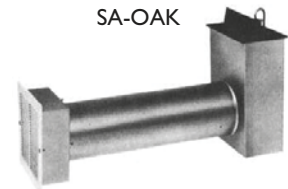
Item No	Model	Weight	
SA-CF12113	Top-Mount Damper, 13" x 13", 24" Fireplaces, Vecchio™ & Brick Ovens	7	SA-CF12113
SA-CF12117	Top-Mount Damper, 17" x 17", 36" & 48" Fireplaces	15	
SA-CF12118	Top-Mount Damper, 13" x 17", all New Age™ Fireplace Models	10	
SA-V936	Throat-Mount Damper, Cast Iron, 36" New Age™ Indoor Fireplaces	60	
SA-V942	Throat-Mount Damper, Cast Iron, 42" New Age™ Indoor Fireplaces	70	
SA-V948	Throat-Mount Damper, Cast Iron, 48" New Age™ Indoor Fireplaces	80	
SA-V360	Throat-Mount Damper, Cast Iron, 60" New Age™ Indoor Fireplaces	75	
SA-V372	Throat-Mount Damper, Cast Iron, 72" New Age™ Indoor Fireplaces	100	

Refer to Section 15 of Price List

Fireplace Clean Out Accessories and Outside Air Kits

Universal ash dump and clean out doors are available for use with any Stone Age Fireplace or oven model, and simplify ash removal with any wood burning product. Universal Outside air kits are suitable for use with indoor fireplaces and are helpful in newer, energy-efficient homes, where good combustion airflow may not always be available.

Item No	Model	Weight	Opening Dimensions
SA-AD	Fireplace Ash Dump Door - Universal	2	4 1/2" x 9"
SA-COD	Fireplace Clean Out Door - Universal	3	10" x 8"
SA-OAK	Fireplace Outside Air Kit - Universal	16	4 1/2" x 9" interior, 4" x 9" exterior, length adjustable



Refer to Section 15 of Price List

Fireplace Grates & Accessories

Log Grates and Cooking Cranes are the perfect accessories for any Stone Age Fireplace, and add beauty and functionality. All items feature heavy, carbon steel construction with black, high-temperature finish.

Item No	Model	Weight
SA-D8818S4	18"w x 12"d Steel Log Grate, 24" Fireplaces	20
SA-D8927-6	27"w x 15"d Steel Log Grate, 36" Fireplaces	30
SA-D8933-8	33"w x 15"d Steel Log Grate, 48" Fireplaces	50
SA-HY15	15 1/4"w x 9"d Steel Log Grate, Veranda™ Fireplaces	12
SA-CC18	18" Cooking Crane for Fireplaces & Brick Ovens	6



Refer to Section 15 of Price List

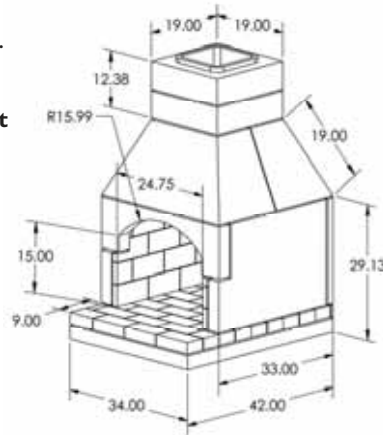
Stone Age Brick Oven

Stone Age Brick Ovens are the perfect complement to our other outdoor kitchen components, and allow the outdoor chef unlimited cooking flexibility while incorporating the taste of real wood. Optional top-mount dampers are available, for more precise temperature control and greater cooking flexibility.

Available with 24" firebox opening width, 27" depth. Firebox opening height is 21", with arched lintel.

Item No	Model	Weight
SA-BO	Stone Age Brick Oven	1600
SAFL1313-6	6"t Chimney Sections	100

Refer to Section 16 of Price List



Recommended Accessories: Top-mount damper, Stone Age Multi-Purpose Ready-Mix.

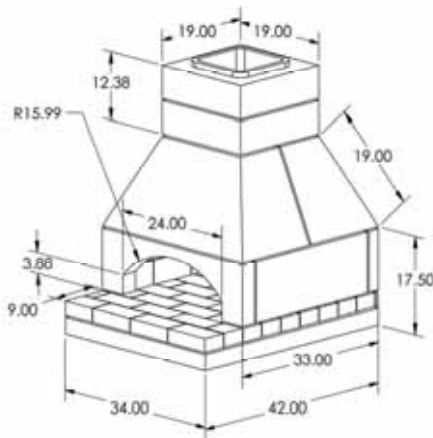
Vecchio™ Pizza Oven

The Vecchio™ Pizza Oven offers the fun and flavor of traditionally-cooked pizza, in a smaller, easy-to-manage footprint that integrates perfectly with our Cabinet Component System™. Add the optional top-mount damper for more precise temperature control and greater cooking flexibility.

Available with 24" firebox opening width, 28" depth. Firebox opening height is 9", with arched lintel.

Item No	Model	Weight
SA-VPO-34	Vecchio™ Pizza Oven	1100
SAFL1313-6	6"t Chimney Sections	100

Refer to Section 16 of Price List



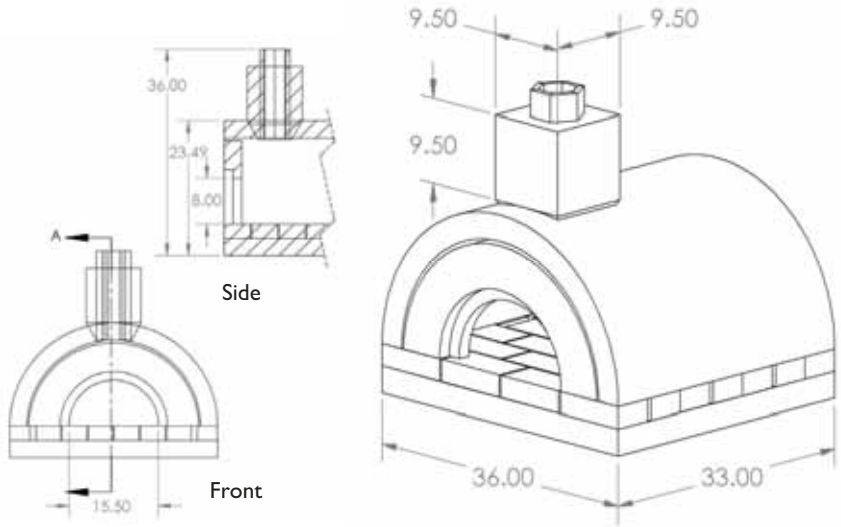
Recommended Accessories: Top-mount damper, Stone Age Multi-Purpose Ready-Mix.

Mezzo™ Pizza Oven

The Mezzo™ Pizza Oven offers the same old world flavor of the Amerigo™ in a smaller package that fits the depth of our Cabinet Component System™ island kits, and features an arched cooking chamber with over 800 square inches of cooking surface. Cooking surface measures 27” deep by 30” wide. Kits include firebrick, 9” chimney flue and metal oven door.

Item No	Model	Weight
SA-MPO-36	Mezzo™ Pizza Oven	1150

Refer to Section 16 of Price List



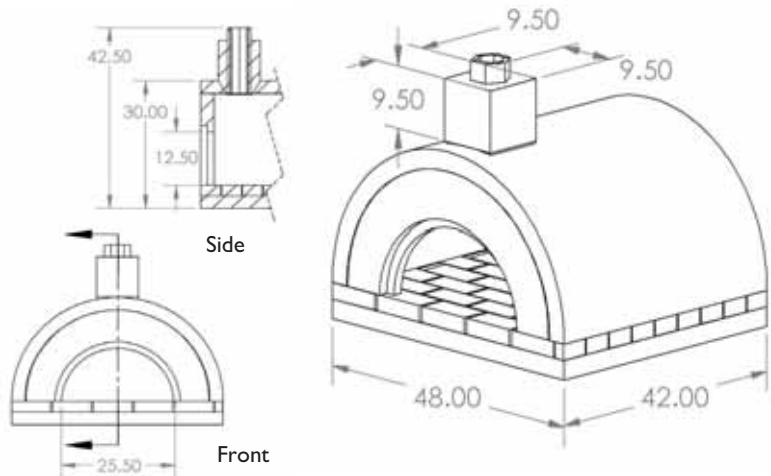
Recommended Accessories: Wood-clad door, Stone Age Multi-Purpose Ready-Mix.

Amerigo™ Pizza Oven

The Amerigo™ Pizza Oven has everything you need for old world pizza cooking and more. Featuring an arched cooking chamber and over 1500 square inches of cooking surface, the Amerigo™ complements any outdoor kitchen. Cooking surface measures 36” deep by 42” wide. Kits include firebrick, 9” chimney flue and metal oven door.

Item No	Model	Weight
SA-APO-48	Amerigo™ Pizza Oven	1650

Refer to Section 16 of Price List



Recommended Accessories: Wood-clad door, Stone Age Multi-Purpose Ready-Mix.

Amerigo™ Pizza Oven Inner Liner, Access Tunnel & Base Plate Extension Kits

The Amerigo™ Pizza Oven is now easily customizable for the discerning chef.

A one-piece refractory concrete Inner Liner kit with ceramic blanket delivers exceptional insulating properties for increased heating efficiency. Designed to fit inside the Amerigo™ oven dome.

The Tunnel kit creates a traditional entry landing, while lowering and bringing forward the chimney for greater heating control in the front of the oven. Tunnel kit requires the use of the Base Plate Extension kit.

The Base Plate Extension kit creates an extended hearth and landing area, and also facilitates installation of the Tunnel kit. Includes firebrick.

Item No	Model	Weight
SA-APO48-IL	Inner Liner Kit	300
SA-APO48-ATWC	Tunnel Kit	315
SA-APO48-BPE	Base Plate Extension	215

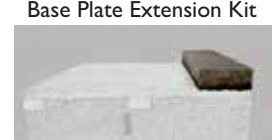
Refer to Section 16 of Price List



Inner Liner Kit



Tunnel Kit



Base Plate Extension Kit

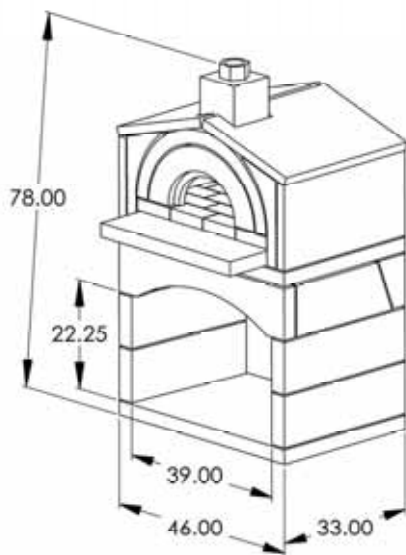
Note: These accessories are optional upgrades to the Amerigo™ oven and should be installed with the Amerigo™ oven kit.

Mezzo™ Pizza Oven - Vent-Free Fireplace Combo

The Mezzo™ Pizza Oven is now available in combination with a 36" vent-free outdoor fireplace and decorative enclosure, delivering great wood-fired cooking on top, with the warmth, beauty and convenience of a vent-free fireplace below, in one attractive package. The oven features an arched cooking chamber with over 800 square inches of cooking surface. Cooking surface measures 27" deep by 30" wide. Kits include firebrick, 9" chimney flue and metal oven door. Vent-free gas log set sold separately.

Item No	Model	Weight
SA-MPOVF	Mezzo™ Oven & Vent-Free Fireplace Combo	3200

Refer to Section 16 of Price List



New

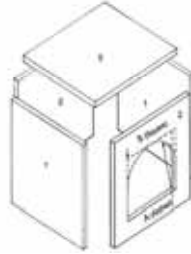


Recommended Accessories: Stone Age Multi-Purpose Ready-Mix, vent-free gas log set.

Amerigo™ & Mezzo™ Pizza Oven Cabinets

Using the same technology as our Cabinet Component System™, the Amerigo™ and Mezzo™ Pizza Oven Cabinets create a solid base with plenty of storage, and are offered with an arched or square opening, or without opening, for custom configurations. Cabinets for both pizza oven models are 44” tall, giving a cooking surface height of approximately 50”.

Item No	Model	Weight
SA-PCA-48	Amerigo™ Cabinet, Arched	1120
SA-PCS-48	Amerigo™ Cabinet, Square	1120
SA-PCN-48	Amerigo™ Cabinet, No Opening	1120
SA-MCA-36	Mezzo™ Cabinet, Arched	670
SA-MCS-36	Mezzo™ Cabinet, Square	670
SA-MCN-36	Mezzo™ Cabinet, No Opening	735



Refer to Section 17 of Price List

Pizza Oven & Wood Storage Doors

Stone Age oven and wood storage doors provide the finishing touch for the outdoor room. Metal doors finished in black high-heat paint are included with Mezzo™ and Amerigo™ pizza ovens, with beautiful wood-clad metal doors available as an option. Matching wood doors are offered for all wood storage cabinets. All wood doors are offered unfinished and ready for staining or sealing .

Item No	Model	Weight
SA-APODA-ML	Amerigo™ 1/8” Steel Door, Standard	18
SA-APODA-UN	Amerigo™ Wood-Clad Steel Door, Unfinished	20
SA-MPODA-ML	Mezzo™ 1/8” Steel Door, Standard	8
SA-MPODA-UN	Mezzo™ Wood-Clad Steel Door, Unfinished	10
SA-PCDA-UN	Wood Cabinet Door, Arched, Unfinished	18
SA-PCDS-UN	Wood Cabinet Door, Square, Unfinished	18

SA-APODA-UN



SA-APODA-ML

SA-PCDS-UN



SA-MPODA-UN



SA-PCDA-UN



Refer to Section 18 of Price List

Accessory Items to Complete Installation of Stone Age Oven Models

Item No	Model	Weight
Chimney Sections		
SAFL1313-6	6”t Small width for Brick and Vecchio™ oven kits	100
SAFLAPO	12”t for Amerigo™ and Mezzo™ oven kits	46
High-Temperature Mortar		
SA-APRM	Multi-Purpose Ready-Mix Mortar, 5 Gallons	60

SAFL1313-6



SAFLAPO



SA-APRM



Refer to Sections 8 and 19 of Price List

Chimney Caps for Fireplaces and Ovens

Stone Age offers chimney caps for our fireplaces, brick ovens, pizza ovens, and smokers. Standard, flat-top chimney caps with mesh screening are available in black galvanized steel.

Item No	Model	Weight
SA-BBT1010	Black Galvanized, Veranda™, Amerigo™, Mezzo™ & Big/Little Pig™	9
SA-CBO1313	Black Galvanized, 24” Fireplaces & Ovens, New Age™ 36” & 60”	10
SA-CBO1318	Black Galvanized, New Age™ 42”, 48” & 72” Fireplaces	12
SA-CBO1818	Black Galvanized, 36” & 48” Standard, Contractor & Patio Fireplaces	15

SA-CBO1313



Refer to Section 20 of Price List

Stone Age Fire Pits

Stone Age offers a wide selection of fire pits for any setting. Simple, three to five piece construction greatly speeds up installations. All models feature extended base plates with molded feet, which may be used to allow movement after assembly or to create clearance and airflow under the unit, as required for installations on wooden structures, or the base may be positioned to place the feet inside the pit if not needed. Three round configurations are available, plus a square model, and optional extension kits to create a rectangular fire pit. Lining with firebrick is recommended for wood burning applications.

Refer to Section 21 of Price List

Short Round Fire Pit

Item No	Model	Dimensions	Weight
SA-SRP	Short Round	42" w x 14" t, 36" I.D. 16 1/2" t with feet	480



SA-SRP



Tall Round Fire Pit

Item No	Model	Dimensions	Weight
SA-TRP	Tall Round	42" w x 25" t, 36" I.D. 27 1/2" t with feet	620



SA-TRP



Recommended Accessories: Log grate set, firebrick (wood burning applications), Stone Age Multi-Purpose Ready-Mix

Large Round Fire Pit

Item No SA-LRP	Model Large Round	Dimensions 48" w x 18" t, 42" I.D. 20 1/2" t with feet	Weight 700
--------------------------	-----------------------------	---	----------------------



SA-LRP



Square Fire Pit

Item No SA-SQP	Model Square	Dimensions 42" w x 42" w x 15" t, 36" I.D. 17 1/2" t with feet	Weight 650
--------------------------	------------------------	---	----------------------

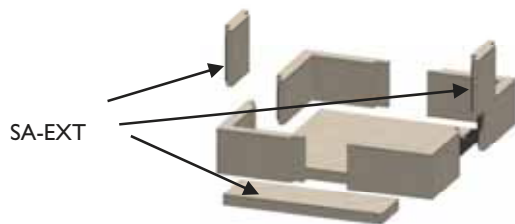


SA-SQP



Square Fire Pit Extension Kit

Item No SA-EXT	Model Extension Kit—adds 12" width to square pit	Dimensions	Weight 100
--------------------------	--	-------------------	----------------------



SA-EXT



Refer to Section 21 of Price List

Recommended Accessories: Log grate set, firebrick (wood burning applications), Stone Age Multi-Purpose Ready-Mix

Fire Pit Log Grates

Log grates elevate the logs inside the fire pit, allowing more airflow through the fire for more complete combustion, and are available to fit any Stone Age fire pit model. All grates are constructed of welded carbon steel, and have a high-temperature black finish.



SA-D8927-6

Item No	Model	Weight
SA-D8927-6	27" w x 15" d Steel Log Grate,	30

Refer to Sections 22 of Price List

Stone Age Multi-Purpose Ready-Mix

Stone Age Multi-Purpose Ready-Mix is a comprehensive blend of refractory mortar and other additives, specifically formulated for the construction and finishing of all Stone Age products. Designed to withstand the high temperature conditions encountered by wood burning hearth products, Stone Age Multi-Purpose Ready-Mix provides superior performance in fireplace, fire pit or oven joints, as well as firebrick installation, and allows plenty of working time without the risk of flash setting. The Stone Age Ready-Mix incorporates a bonding agent to facilitate the adhesion of finishing materials on any Stone Age hearth product or kitchen island kit, and is also formulated for low moisture absorption after curing. A complete, start-to-finish mortar blend in a single package, simply mix with water and you are ready to assemble and finish any project, large or small. Approximately one hour working time, and the mix may be rewetted once per use. Recommended for building and finishing all Stone Age kits.



Item No	Model	Weight
SA-APRM	Multi-Purpose Ready-Mix Mortar, 5 Gallons	60

Refer to Section 19 of Price List

Firebrick & Adhesives

Stone Age offers firebrick for hearth and cooking products, and adhesive for the Cabinet Component System™ and Veranda™ kits.

Item No	Model	Weight
SA-CADH	Concrete adhesive, for Veranda™ & Cabinet Component System™	1
SA-S1001	Firebrick - Splits, 9" x 4 1/2" x 1 1/4"	4
SA-S1006	Firebrick - Full Size, 9" x 4 1/2" x 2 1/2"	8



SA-CADH



Refer to Section 19 of Price List

Cabinet Component System™ Construction Overview

The Cabinet Component System™ creates infinitely configurable kitchen islands, featuring our patented, glass fiber reinforced concrete panels and bracket system. Kitchen Island installations are greatly simplified, giving faster build times and lower labor cost, while delivering strength and durability far superior to any other system available. Kits may be combined or modified to create custom designs or fit unique applications. Basic assembly takes minutes, and appliance openings may be cut immediately after the panels are set, using standard masonry saw blades. Finishing may begin immediately after cutting has been completed, and appliance installation may start as soon as the finish materials have dried.

For best results, Stone Age recommends using our concrete adhesive for all Cabinet Component System™ installations.



Kit on pallet. Note: Kits up to 15' ship on a single pallet.



Step 1 - Place lower bracket and raise first panel.



Step 2 - raise next panel, running a bead of adhesive at joints.



Step 3 - Place upper bracket at joints, which give strength and maintain spacing.



Step 4 - Continue raising side panels, using adhesive and brackets.



Step 5 - Place end panel and final end bracket.



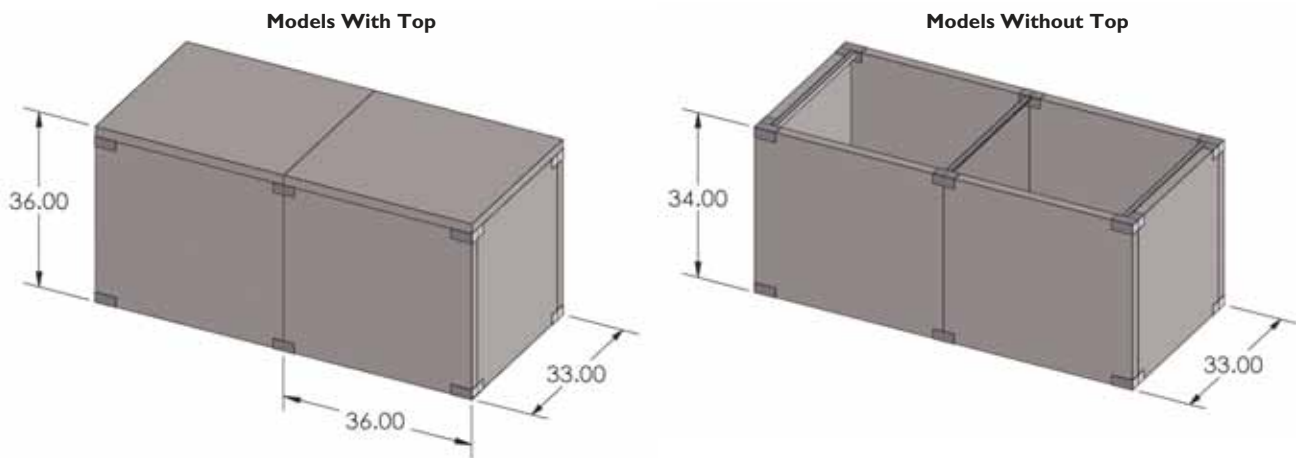
Step 6 - Place top panels and backsplash kits, if applicable.



Estimated Time for Construction Steps 1 - 6 as Shown:

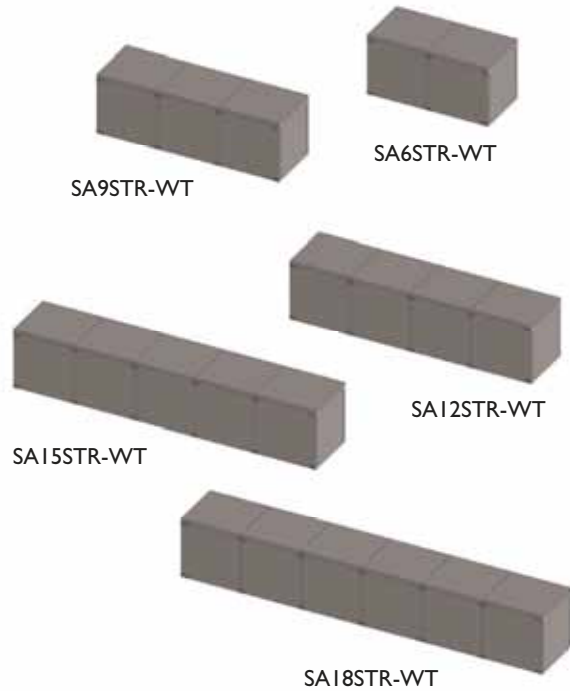
20 Minutes for Experienced Installer.

Common Dimensions for All Models



Kits are listed in 3' width increments, with sizing referring to the shortest side, which is normally the front or appliance side of the unit. All models are available with or without top panels of the same material as the sidewalls. Kits with tops are recommended for installations where countertops 3" thick or less will be used, to give extra support to the finished countertop material and appliances, however, the installer may make the final decision regarding the use of kit tops. All kits are 33" deep and 36" tall with top or 34" tall without tops.

STR Series



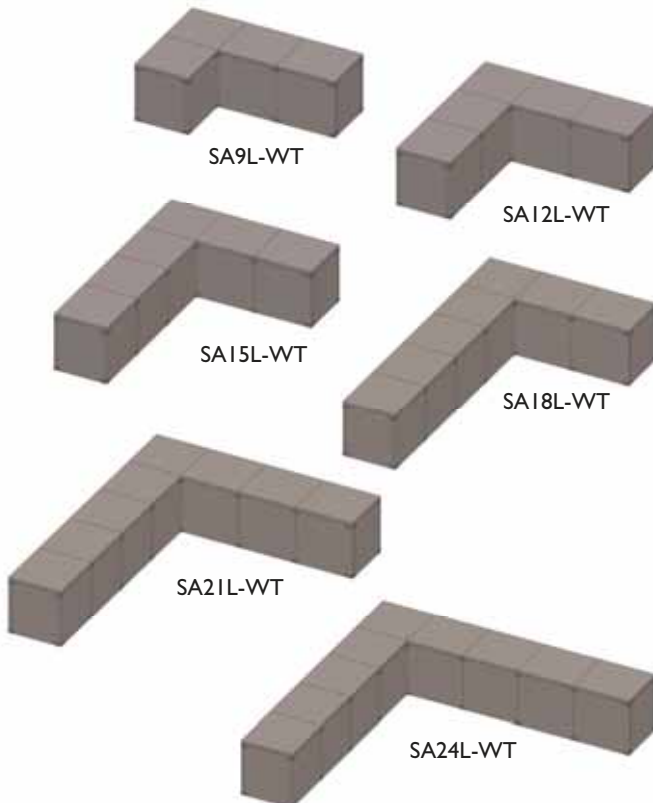
The STR Series straight islands are available in lengths of 6, 9, 12, 15 and 18, and like all Cabinet Component System™ islands, may be expanded by combining multiple kits.

Item No	Model	Weight
SA6STR-WT	6' Straight Island with Top	1120
SA6STR-WOT	6' Straight Island without Top	870
SA9STR-WT	9' Straight Island with Top	1500
SA9STR-WOT	9' Straight Island without Top	1125
SA12STR-WT	12' Straight Island with Top	1980
SA12STR-WOT	12' Straight Island without Top	1480
SA15STR-WT	15' Straight Island with Top	2475
SA15STR-WOT	15' Straight Island without Top	1850
SA18STR-WT	18' Straight Island with Top	2970
SA18STR-WOT	18' Straight Island without Top	2220

Kits are 33”d x 36”t (WT) or 33”d x 34”t (WOT)

Refer to Section 23 of Price List

L Series



L Series islands are available in 9, 12, 15, 18, 21 and 24 foot lengths. Sizing refers to the approximate length of the inside or shorter angles of the unit.

Item No	Model	Weight
SA9L-WT	9' L Island with Top	1860
SA9L-WOT	9' L Island without Top	1360
SA12L-WT	12' L Island with Top	2180
SA12L-WOT	12' L Island without Top	1555
SA15L-WT	15' L Island with Top	2520
SA15L-WOT	15' L Island without Top	1770
SA18L-WT	18' L Island with Top	3240
SA18L-WOT	18' L Island without Top	2365
SA21L-WT	21' L Island with Top	3780
SA21L-WOT	21' L Island without Top	2780
SA24L-WT	24' L Island with Top	4320
SA24L-WOT	24' L Island without Top	3195

Kits are 33”d x 36”t (WT) or 33”d x 34”t (WOT)

Refer to Section 24 of Price List

F Series

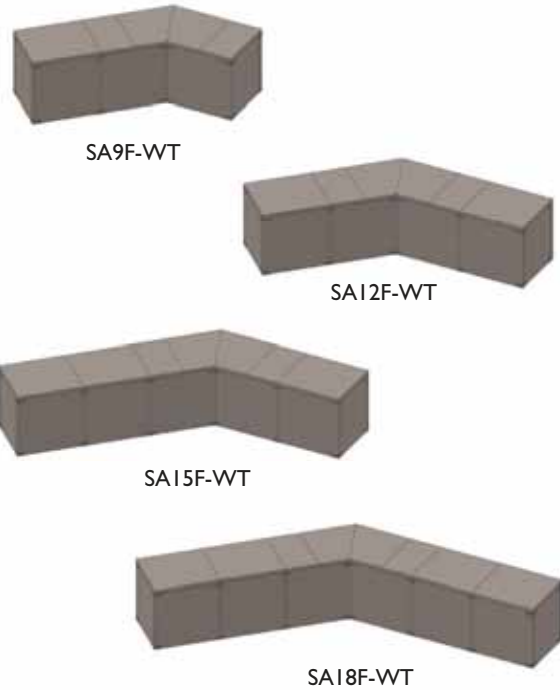


F Series or fanfold islands are offered in 9, 12, 15 and 18 foot lengths. Sizing refers to the approximate length of the inside or shorter angles of the unit.

Item No	Model	Weight
SA9F-WT	9' Fanfold Island with Top	1530
SA9F-WOT	9' Fanfold Island without Top	980
SA12F-WT	12' Fanfold Island with Top	2100
SA12F-WOT	12' Fanfold Island without Top	1425
SA15F-WT	15' Fanfold Island with Top	2550
SA15F-WOT	15' Fanfold Island without Top	1750
SA18F-WT	18' Fanfold Island with Top	3060
SA18F-WOT	18' Fanfold Island without Top	2135

Kits are 33"d x 36"t (WT) or 33"d x 34"t (WOT)

Refer to Section 25 of Price List



FF Series



FF Series or double-fanfold islands are available in 9, 12, 15 and 18 foot lengths. Sizing refers to the approximate length of the inside or shorter angles of the unit.

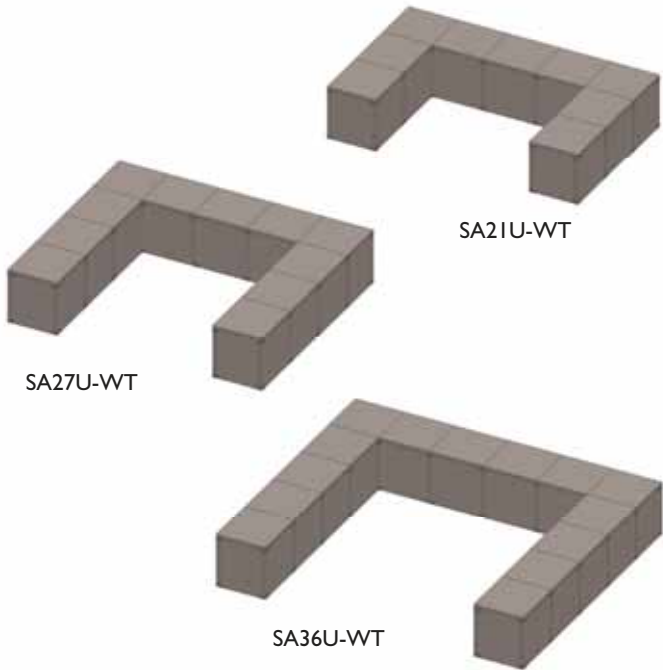
Item No	Model	Weight
SA9FF-WT	9' Double Fanfold Island with Top	1530
SA9FF-WOT	9' Double Fanfold Island without Top	980
SA12FF-WT	12' Double Fanfold Island with Top	2100
SA12FF-WOT	12' Double Fanfold Island without Top	1425
SA15FF-WT	15' Double Fanfold Island with Top	2550
SA15FF-WOT	15' Double Fanfold Island without Top	1750
SA18FF-WT	18' Double Fanfold Island with Top	3060
SA18FF-WOT	18' Double Fanfold Island without Top	2135

Kits are 33"d x 36"t (WT) or 33"d x 34"t (WOT)

Refer to Section 26 of Price List



U Series



U Series islands provide plenty of counter space and are offered in 21, 27 and 36 foot lengths. Sizing refers to the approximate length of the inside or shorter angles of the unit.

Item No	Model	Weight
SA21U-WT	21' U Island with Top	3780
SA21U-WOT	21' U Island without Top	2655
SA27U-WT	27' U Island with Top	4860
SA27U-WOT	27' U Island without Top	3485
SA36U-WT	36' U Island with Top	6480
SA36U-WOT	36' U Island without Top	4730

Kits are 33" d x 36" t (WT) or 33" d x 34" t (WOT)

Refer to Section 27 of Price List

Spare Parts, In-Line Island Kits, L and F Conversion Kits

Stone Age Manufacturing offers several kits designed to simplify common inventory challenges. The Spare Parts kit includes several spares of frequently used island panels & brackets, the In-Line Island kits includes panels and brackets to add straight 3' inline sections to standard kits, and the L and F conversion kits include panels and brackets to allow conversion of 2 STR island kits into L or F island configurations.

Item No	Model	Weight
SA-CCS-SPK	CCS Spare Parts Kit	1950
SA3INL	3' Inline Island Section, With Top	400
SA3LCON	3' L Conversion Kit, With Top	500
SA3FCON	3' F Conversion Kit, With Top	550

New

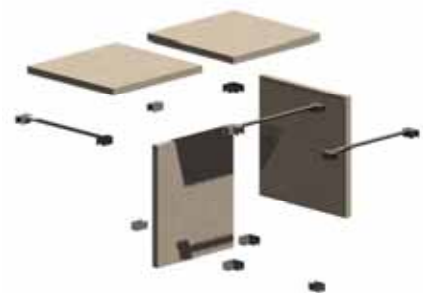
Refer to Section 30 of Price List



SA3INL



SA3FCON



SA3LCON

Radiused Series

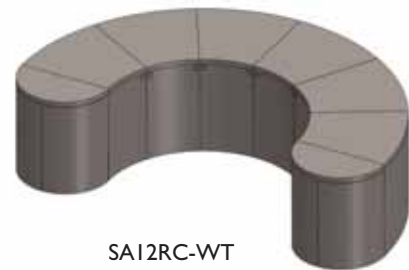
The Radius Series islands offer flexibility in design never before available in modular masonry kits, and may be further customized by combining multiple kits and configurations.

Note: Radiused Series kits include 2 Radiused End Caps.

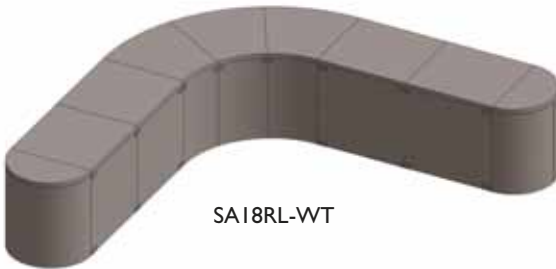
Item No	Model	Weight
SA12RC-WT	12' Radiused C Island with Top	1692
SA12RC-WOT	12' Radiused C Island without Top	1108
SA18RL-WT	18' Radiused L Island with Top	2994
SA18RL-WOT	18' Radiused L Island without Top	2162
SA21RJ-WT	21' Radiused J Island with Top	3092
SA21RJ-WOT	21' Radiused J Island without Top	2133
SA24RU-WT	24' Radiused U Island with Top	3932
SA24RU-WOT	24' Radiused U Island without Top	2848
SA27RS-WT	27' Radiused S Island with Top	3168
SA27RS-WOT	27' Radiused S Island without Top	2080

Kits are 33"d x 36"t (WT) or 33"d x 34"t (WOT)

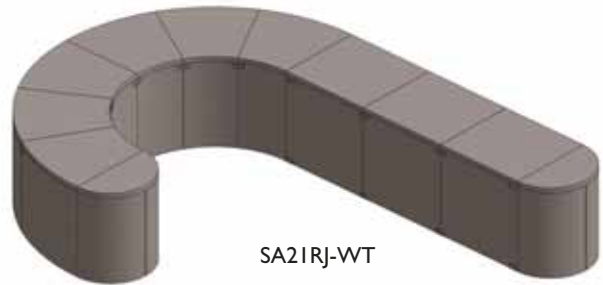
Refer to Section 28 of Price List



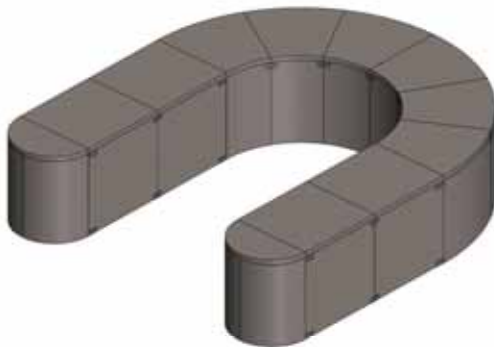
SA12RC-WT



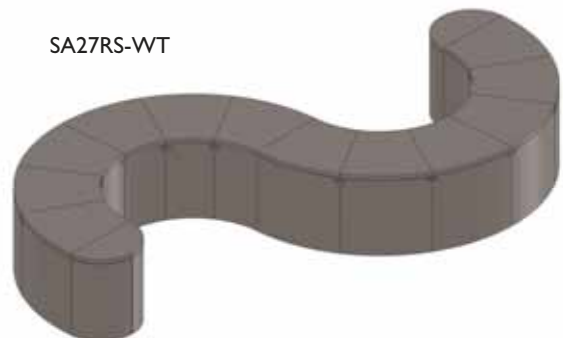
SA18RL-WT



SA21RJ-WT



SA24RU-WT



SA27RS-WT

Radiused Island Sections

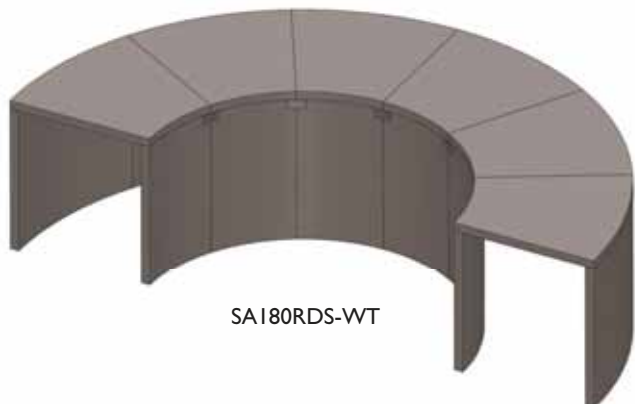
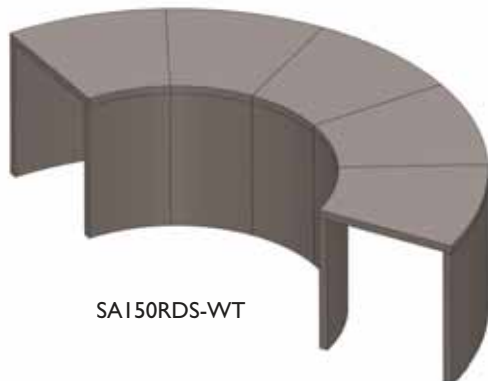
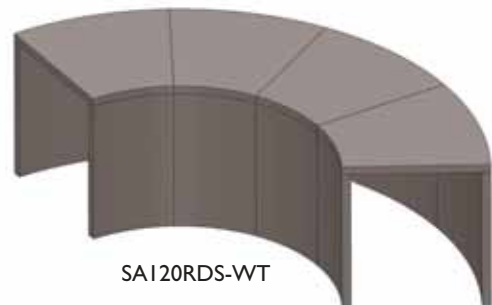
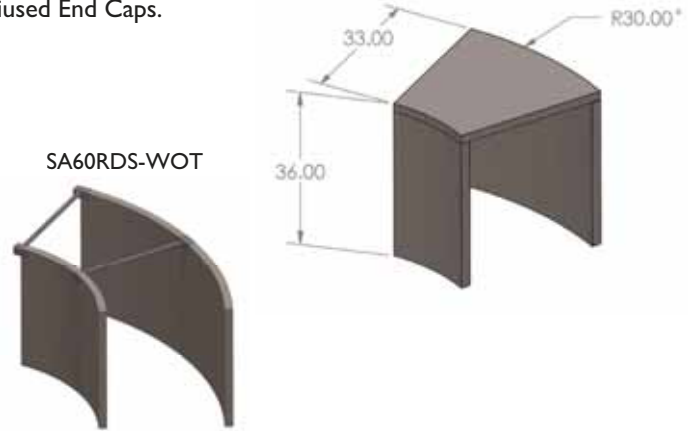
Radiused Series islands sections are offered as kits in 30° increments, up to 180°, and are intended for applications where they will be combined with additional radiused sections to create circular layouts of greater than 180°, or with standard Cabinet Component System™ kits, for unique, highly customized island layouts.

Radiused Island Section kits do not include end panels or Radiused End Caps.

Item No	Model	Weight
SA30RDS-WT	30° Radiused Section with Top	246
SA30RDS-WOT	30° Radiused Section without Top	162
SA60RDS-WT	60° Radiused Section with Top	492
SA60RDS-WOT	60° Radiused Section without Top	324
SA90RDS-WT	90° Radiused Section with Top	738
SA90RDS-WOT	90° Radiused Section without Top	486
SA120RDS-WT	120° Radiused Section with Top	984
SA120RDS-WOT	120° Radiused Section without Top	648
SA150RDS-WT	150° Radiused Section with Top	1230
SA150RDS-WOT	150° Radiused Section without Top	810
SA180RDS-WT	180° Radiused Section with Top	1476
SA180RDS-WOT	180° Radiused Section without Top	972

Kits are 33”d x 36”t (WT) or 33”d x 34”t (WOT)

Refer to Section 29 of Price List



Radiused End Caps

Radiused End Caps may be added to create a unique finishing touch to any Cabinet Component System™ island kit, and may also be used to create stand-alone tables or fire and cooler features.

Radiused End Cap kits do not include Radiused End Backsplash or Bar Top Backsplash.

SA-RDS-END-WT

Item No	Model	Weight
SA-RDS-END-WT	Radiused End Cap with Top	108
SA-RDS-END-WOT	Radiused End Cap without Top	68
SA-RDS-ET-WT	Radiused End Table with Top	216
SA-RDS-ET-WOT	Radiused End Table without Top	136
SA-RDS-ETBS-WT	Radiused End Table with Bar Top	216
SA-RDS-ETBS-WOT	Radiused End Table with Backsplash	136



Refer to Section 29 of Price List



Radiused End Table with Backsplash and Bar Top Kits



Radiused End Caps with C Island Kit

Backsplash Kits

Cabinet Component Backsplash kits are offered in two configurations, standard backsplash and backsplash with bar top. Kits vary in length, depending upon model. Multiple kits can be added to any Cabinet Component System™ island. Kits are 8 inches tall, and when assembled, have a 2 inch by 6 inch interior space that can be used as an electrical chase. Bar top backsplash kits feature a 6 inch overhang with metal bracketing for extra stability.

Available in straight, radiused, reversed radiused, and radiused end configurations.

Item No	Model	Weight
SA-BSWT	3' Backsplash Kit with Bar Top	80
SA-BSWOT	3' Backsplash Kit without Bar Top	55
SA-RBSWT	3', 30° Backsplash Kit with Bar Top	76
SA-RBSWOT	3', 30° Backsplash Kit without Bar Top	58
SA-REVRBSWT	18", 30° Reverse Backsplash Kit with Bar Top	46
SA-REVRBSWOT	18", 20° Reverse Backsplash Kit without Bar Top	36
SA-REBSWT	16 1/2", 90° End Cap Backsplash Kit with Bar Top	52
SA-REBSWOT	16 1/2", 90° End Cap Backsplash Kit without Bar Top	40



Refer to Section 31 of Price List

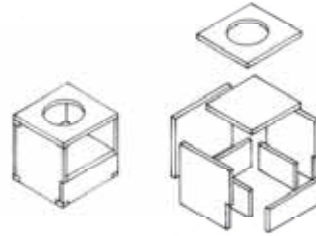


Ceramic Cooker Island Kits



Ceramic Cooker Island Kits eliminate the difficulties of installing these popular charcoal grills in an outdoor kitchen island. Our kits are configured with an open front for easy access to lower air vents, but can easily be configured with doors to match the other appliances in an application. The 22" diameter top cut-out fits the most popular sized round cookers, or may be modified to fit oversized or oval designs.

Item No	Model	Weight
SA-CERC	Ceramic Cooker Kit	850



Refer to Section 32 of Price List

Counter Height Extension Kits



Counter Height Extension Kits offer a simple and effective solution when taller countertops are desired. Kits are 36" wide by 33" deep by 6" tall, and are installed directly on the island kit walls, with the island's countertop placed on top of the extensions.

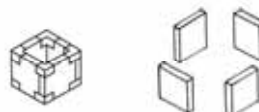
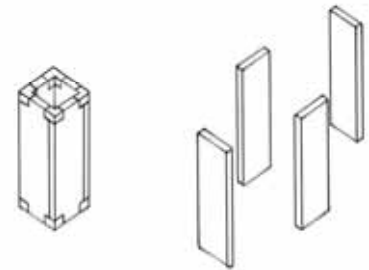
Item No	Model	Weight
SA-CHE	Height Extension Kit	95

Refer to Section 32 of Price List

Column & Seat Wall Kits

Column and Seat Wall Kits quickly create beautiful accents, while greatly simplifying the application of masonry finishes, and may be incorporated into walls, fencing or other applications. Column Kits are 36" tall by 14" wide, and 12" height extension kits are available if taller columns are desired. Seat Walls are easily created using our 36" wide by 12" deep by 18" tall kits, and can be trimmed to fit any angle or radius.

Item No	Model	Weight
Item No	Model	Weight
SA-TC-3	Column Kit	176
SA-CEXT	Column Extension Kit	60
SA-SW-3	Seat Wall Kit	170



Refer to Section 32 of Price List

Little Pig™ and Big Pig™ Cabinet Smokers

The Little Pig™ and Big Pig™ Cabinet Smokers are the ultimate set up for low temperature (low & slow) smoking.

Comprised of a heavy steel framework with multiple access doors, and a thick refractory outer shell for maximum temperature stability, these smokers combine a large number of features never before available in a kit configuration, to give smoking performance far superior to any other smoker, in a package that will fit into any outdoor setting.

Multi-point air vents give you precise control over temperature. The Little Pig™ offers 4 cooking positions, with 4 18" x 20" cooking racks, for plenty of cooking surface in a smaller package. The Big Pig™ features 5 cooking positions, and includes 5, 18" x 20" cooking racks and a hanging hook, for whole pigs or larger cuts of meat. Separate doors for each section allow individual adjustment of the firebox, liquid/drip tray and cooking racks. The heavy, 1/4" thick metal face, doors and main framework are designed to last a lifetime. Heavy duty, spring-loaded latch handles, with wire stove handle grips and a high-quality thermometer round out the long list of features included with these units.

The refractory outer shell features 6" thick walls, which help maintain a constant temperature, allowing you to check the food, add wood or liquid, and make other adjustments, without the heat loss typically experienced when opening an all-metal smoker. Opening the doors result in a momentary temperature drop, that quickly returns to the desired temperature, without the need to adjust the air control. The refractory shell is designed to accept any masonry compatible finish, allowing the smoker to be seamlessly integrated into the décor of the rest of the outdoor kitchen or room setting, or function as a standalone unit.

Item No	Model	Weight
SA-SM-LP6	6' Little Pig™ Cabinet Smoker, Refractory Shell Kit & Internal Frame	2476
SA-SM-BP8	8' Big Pig™ Cabinet Smoker, Refractory Shell Kit & Internal Frame	3056

Note: The Little Pig™ is a normal stock item, however, the Big Pig™ is a special order only item, with a 6-8 week lead time.

Refer to Section 33 of Price List

SA-SM-LP6
Unfinished



SA-SM-LP6
Masonry & Metal
Components



SA-SM-LP6
View of Internal Details



SA-SM-LP6
Finished in
Thin Brick



Stone Age PreBuilt Series™

The PreBuilt Series™ outdoor room collection includes preassembled fireplace, fire pits, pizza ovens, and smokers, all based on popular items from Stone Age’s industry-leading modular masonry kits.

The Stone Age PreBuilt Series™ delivers the high quality and outstanding performance of the Stone Age product line for custom outdoor room projects, with minimal on-site construction time.

Outdoor Fireplaces

Select fireplace models and wood storage for any application, offered in portable packages that install even faster than our kit products.

Item No	Model	Weight
SA-24PS-WV	24” Patio Series	2275
SA-36SFVV	36” Stoned Fire	4380
SA-WCA-WV	Wood Box, Arched	950

SA-24PS-WV



SA-36SF-WV



SA-WCA-WV



Outdoor Fire Pits

The warmth and ambiance of the campfire, crafted in heat-tolerant concrete with natural stone or brick finishes. Perfect for every setting.

Item No	Model	Weight
SA-SRP-WV	Short Round Fire Pit	1200
SA-TRP-WV	Tall Round Fire Pit	1750



SA-SRP-WV



SA-TRP-WV



Mezzo™ Pizza Oven

Old World flavor in a package that's perfectly sized for most families, the Mezzo™ offers the best in wood-fired cooking for the backyard gourmet.

Item No	Model	Weight
MZPO-WV	Mezzo™ Oven, Arched Cabinet	2760



Little Pig™ Cabinet Smoker

The ultimate set up for low temperature (low & slow) barbecue is now available in our PreBuilt Series.

Item No	Model	Weight
SA-SM-LP6-WV	6' Little Pig™ Cabinet Smoker	5600



Mezzo Combo™ Oven & Fireplace

The Mezzo Combo™ gives you great wood-fired cooking on top, with the convenience of a vent-free fireplace below, offering everything you need in an outdoor room, in one attractive package. Vent-free gas log set sold separately.

Item No	Model	Weight
SA-MPOVF-WV	Mezzo Oven Vent-Free Fireplace	4900

New



Finishing Options

Natural Stone & Brick Thin Veneers

Man-Made Stone Accents



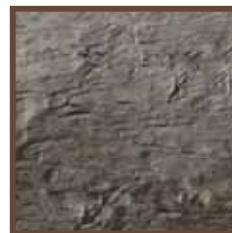
Reclaimed
Antique Brick



Osage Blend
Squares & Recs



Osage Blend
Irregular



Limestone
Top/Accent



Sandstone
Top/Accent

Finishing Specifications For Fireplace, Fire Pit, Brick Oven & Pizza Oven Models

Model	Size/Name	Approximate Surface/Corner Area	Firebrick Required	Included
Patio Series				
SA-24PS	24"	49 square feet of surface, including 22 linear feet of corners	70 Splits-Not Req.	No
SA-36PS	36"	71 square feet of surface, including 22 linear feet of corners	85 Splits-Not Req.	No
SA-48PS	48"	94 square feet of surface, including 22 linear feet of corners	105 Splits-Not Req.	No
Contractor Series				
SA24CN	24"	62 square feet of surface, including 26 linear feet of corners	70 Splits	No
SA36CN	36"	85 square feet of surface, including 26 linear feet of corners	85 Splits	No
SA48CN	48"	109 square feet of surface, including 26 linear feet of corners	105 Splits	No
Stone Age (Standard)				
SA24	24"	75 square feet of surface, including 32 linear feet of corners	70 Splits	Yes
SA36	36"	100 square feet of surface, including 32 linear feet of corners	85 Splits	Yes
SA48	48"	125 square feet of surface, including 32 linear feet of corners	105 Splits	Yes
New Age™ Outdoor				
SA39	39"	95 square feet of surface, including 32 linear feet of corners	95 Splits	Yes
SA45	45"	105 square feet of surface, including 32 linear feet of corners	105 Splits	Yes
SA51	51"	115 square feet of surface, including 34 linear feet of corners	135 Splits	Yes
SA63	63"	140 square feet of surface, including 34 linear feet of corners	160 Splits	Yes
SA75	75"	165 square feet of surface, including 36 linear feet of corners	185 Splits	Yes
Contractor Series See-Thru				
SA24CN-ST/STR	24"	58 square feet of surface, including 26 linear feet of corners	70 Splits	No
SA36CN-ST/STR	36"	79 square feet of surface, including 26 linear feet of corners	85 Splits	No
SA48CN-ST/STR	48"	101 square feet of surface, including 26 linear feet of corners	105 Splits	No
See-Thru (Standard)				
SA24-ST/STR	24"	71 square feet of surface, including 32 linear feet of corner	70 Splits	Yes
SA36-ST/STR	36"	94 square feet of surface, including 32 linear feet of corners	85 Splits	Yes
SA48-ST/STR	48"	118 square feet of surface, including 32 linear feet of corners	105 Splits	Yes
Veranda™				
SA-VER-UA	18"	48 square feet of surface, including 24 linear feet of corners	Not Req.	No
Extension Kits for Fireplaces (Standard/Contractor Series—3-Piece Kits, See-Thru—2-Piece Kits, New Age—4-Piece Kits)				
SA36-EXT	36"	10 square feet of surface, including 2 linear feet of corners	40 Splits	No
SA48-EXT	48"	11 square feet of surface, including 2 linear feet of corners	46 Splits	No
SA-STEXT	24"-48"	6 square feet of surface, no additional corners	40 Splits	No
SA-N3639EXT	36"-39"	12 square feet of surface, including 5 linear feet of corners	60 Full, 40 Splits	No
SA-N4245EXT	42"-45"	12 square feet of surface, including 5 linear feet of corners	66 Full, 44 Splits	No
SA-N4851EXT	48"-51"	13 square feet of surface, including 5 linear feet of corners	72 Full, 48 Splits	No
SA-N6063EXT	60"-63"	14 square feet of surface, including 5 linear feet of corners	78 Full, 52 Splits	No
SA-N7275EXT	72"-75"	15 square feet of surface, including 5 linear feet of corners	84 Full, 56 Splits	No
Fire Pits				
SA-SRP	Short Round	15 square feet of surface and 11 linear feet of coping	51 Splits	No
SA-TRP	Tall Round	25 square feet of surface and 11 linear feet of coping	74 Splits	No
SA-LRP	Large Round	25 square feet of surface and 13 linear feet of coping	76 Splits	No
SA-SQP	Square	20 square feet of surface and 14 linear feet of coping	73 Splits	No
SA-EXT	Extension	3 square feet of surface and 2 linear feet of coping, per kit	19 Splits	No
Brick & Pizza Ovens				
SA-BO	Brick Oven	40 square feet of surface, including 20 linear feet of corners	40 Full, 40 Splits	Yes
SA-VPO-34	Vecchio™ Pizza	32 square feet of surface, including 16 linear feet of corners	40 Full, 20 Splits	Yes
SA-MPO-36	Mezzo™ Pizza	25 square feet of surface, including 14 linear feet of corners	30 Full	Yes
SA-APO-48	Amerigo™ Pizza	35 square feet of surface, including 14 linear feet of corners	50 Full	Yes
SA-MPOVF	Mezzo™ VF Combo	67 sqft of surface, including 24 lf of corners, and 12 sqft of roof	30 Full, 85 Splits	Yes
Big Pig™ & Little Pig™ Cabinet Smokers				
SA-SM-BP8	Big Pig™ Smoker	66 square feet of surface, including 28 linear feet of corners	50 Full	Yes
SA-SM-LP6	Little Pig™ Smoker	51 square feet of surface, including 20 linear feet of corners	50 Full	Yes
New Age™ Indoor & Vent-Free				
NA36IND	36"	95 square feet of surface, including 32 linear feet of corners	110 Full	No
NA42IND	42"	105 square feet of surface, including 32 linear feet of corners	120 Full	No
NA48IND	48"	115 square feet of surface, including 34 linear feet of corners	150 Full	No
NA60IND	60"	140 square feet of surface, including 34 linear feet of corners	175 Full	No
NA72IND	72"	165 square feet of surface, including 36 linear feet of corners	200 Full	No
NA36VF	36"	40 square feet of surface, including 12 linear feet of corners	110 Full	No
NA42VF	36"	42 square feet of surface, including 12 linear feet of corners	120 Full	No

New Age™ Indoor and Vent-Free models typically have additional structure surrounding the kits. Confirm the actual surface area requiring finish.

Note: All finishing specifications are approximate, and do not include waste.

Finishing Specifications for Cabinet Component System™

Kitchen Island Kits

Model	Side Area	Top	Corner
SA6STR-WT	51 sqft	17 sqft	12 lf
SA9STR-WT	69 sqft	25 sqft	12 lf
SA12STR-WT	87 sqft	33 sqft	12 lf
SA15STR-WT	105 sqft	42 sqft	12 lf
SA18STR-WT	123 sqft	50 sqft	12 lf
SA9L-WT	84 sqft	32 sqft	15 lf
SA12L-WT	102 sqft	40 sqft	15 lf
SA15L-WT	120 sqft	49 sqft	15 lf
SA18L-WT	138 sqft	57 sqft	15 lf
SA21L-WT	156 sqft	65 sqft	15 lf
SA24L-WT	174 sqft	73 sqft	15 lf
SA9F-WT	75 sqft	28 sqft	15 lf
SA12F-WT	93 sqft	36 sqft	15 lf
SA15F-WT	111 sqft	45 sqft	15 lf
SA18F-WT	129 sqft	53 sqft	15 lf
SA9FF-WT	82 sqft	31 sqft	18 lf
SA12FF-WT	100 sqft	39 sqft	18 lf
SA15FF-WT	118 sqft	48 sqft	18 lf
SA18FF-WT	136 sqft	56 sqft	18 lf
SA21U-WT	172 sqft	72 sqft	18 lf
SA27U-WT	208 sqft	88 sqft	18 lf
SA36U-WT	262 sqft	113 sqft	18 lf
SA12RC-WT	110 sqft	48 sqft	N/A
SA18RL-WT	170 sqft	61 sqft	N/A
SA21RJ-WT	179 sqft	73 sqft	N/A
SA24RU-WT	212 sqft	82 sqft	N/A
SA27RS-WT	194 sqft	90 sqft	N/A

Wood Storage Cabinet Kits

SA-WCA	29 sqft	9 sqft	12 lf
SA-WCS	29 sqft	9 sqft	12 lf
SA-WCN	33 sqft	9 sqft	12 lf
SA-WAA	17 sqft	5 sqft	N/A
SA-WCA-NA	29 sqft	9 sqft	12 lf
SA-WCS-NA	29 sqft	9 sqft	12 lf
SA-WCN-NA	33 sqft	9 sqft	12 lf
SA-WAA-NA	17 sqft	5 sqft	N/A

Backsplash Kits

SA-BSWT	4 sqft	3 sqft	N/A
SA-BSWOT	4 sqft	2 sqft	N/A

Pizza Oven Cabinet Kits

Model	Side Area	Top	Corner
SA-PCA-48	42 sqft	N/A	16 lf
SA-PCS-48	42 sqft	N/A	16 lf
SA-PCN-48	52 sqft	N/A	16 lf
SA-MCA-36	29 sqft	N/A	16 lf
SA-MCS-36	29 sqft	N/A	16 lf
SA-MCN-36	40 sqft	N/A	16 lf

Ceramic Cooker Cabinet Kit

SA-CERC	27 sqft	8 sqft	12 lf
---------	---------	--------	-------

Column & Seat Wall Kits

SA-TC-3	14 sqft	N/A	12 lf
SA-CEXT	5 sqft	N/A	4 lf
SA-SW-3	9 sqft	3sqft	6 lf

Radiused Island Individual Sections

SA30RDS-WT	14 sqft	7 sqft	N/A
SA60RDS-WT	28 sqft	14 sqft	N/A
SA90RDS-WT	42 sqft	21 sqft	N/A
SA120RDS-WT	56 sqft	28 sqft	N/A
SA150RDS-WT	70 sqft	35 sqft	N/A
SA180RDS-WT	84 sqft	42 sqft	N/A

Radiused End Caps & Tables

SA-RDS-END-WT	13 sqft	3 sqft	N/A
SA-RDS-ET-WT	26 sqft	6 sqft	N/A
SA-RDS-ETBS-WT	32 sqft	6 sqft	N/A

Radiused Backsplash Kits

SA-RBSWT	6 sqft	3 sqft	N/A
SA-RBSWOT	6 sqft	2 sqft	N/A
SA-REVRBSWT	6 sqft	3 sqft	N/A
SA-REVRBSWOT	6 sqft	2 sqft	N/A
SA-REBWT	3 sqft	2 sqft	N/A
SA-REBWOT	3 sqft	2 sqft	N/A

Note: Cabinet Component System™ Finishing Specifications are based on kits with tops, except where noted.

Approximate Coverage Specifications for Multi-Purpose Ready-Mix

Stone Age recommends using our Multi-Purpose Ready-Mix for the assembly of all Stone Age fireplace, fire pit, wood-fired oven, and smoker kits, and also recommends its use for finish application.

Kit Assembly Only (including Firebrick, where applicable)

24" Standard, Contractor & Patio Fireplaces	3 Buckets	72" - 75" New Age™ Fireplaces	8 Buckets
36" Standard, Contractor & Patio Fireplaces	4 Buckets	Fire Pits - All Models	1 Bucket
48" Standard, Contractor & Patio Fireplaces	5 Buckets	Vecchio™ & Mezzo™ Ovens	1 Bucket
36" - 39" New Age™ Fireplaces	4 Buckets	Amerigo™ & Brick Ovens	2 Buckets
42" - 45" New Age™ Fireplaces	5 Buckets	Big Pig™ & Little Pig™ Smokers	6 Buckets
48" - 51" New Age™ Fireplaces	6 Buckets		
60" - 63" New Age™ Fireplaces	7 Buckets	Chimney Sections - 8 to 9 sections per Bucket	

Veneer Coverage - Amount of coverage will typically range between 15 and 30 square feet, depending upon material used, application technique and joint size.

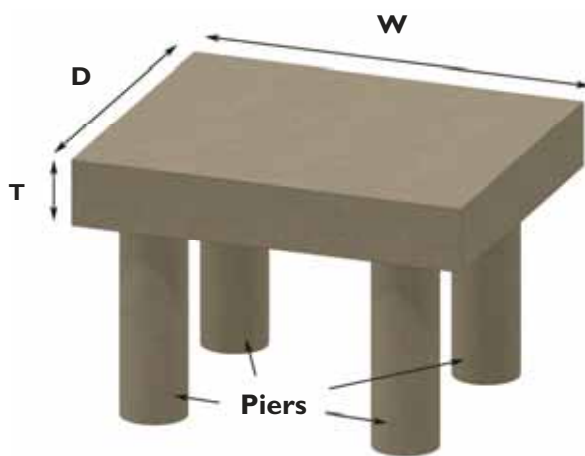
Note: All finishing specifications are approximate, and do not include waste.

Outdoor Fireplaces - Pad/Footing Specifications (Minimum Sizes for Standard Height Applications)**Thin Finishes**

Model	Thickness (T)	Depth (front to back) (D)	Width (side to side) (W)
SA24	4" – 6"	48"	40"
SA36	6" – 8"	48"	52"
SA48	8" – 10"	48"	64"
SA24-ST	4" – 6"	56"	40"
SA36-ST	6" – 8"	56"	52"
SA48-ST	8" – 10"	56"	64"
24CN, PS	4" – 6"	39"	40"
36CN, PS	6" – 8"	39"	52"
48CN, PS	8" – 10"	39"	64"
SA39	6" – 8"	38"	54"
SA45	8" – 10"	38"	60"
SA51	8" – 10"	38"	66"
SA63	16" – 20"	38"	78"
SA75	16" – 20"	38"	90"

Full Depth Finishes

Model	Thickness (T)	Depth (front to back) (D)	Width (side to side) (W)
SA24	8" – 12"	54"	46"
SA36	12" – 18"	54"	58"
SA48	8" – 24"	54"	70"
SA24-ST	8" – 12"	62"	46"
SA36-ST	12" – 18"	62"	58"
SA48-ST	18" – 24"	62"	70"
24CN, PS	8" – 12"	45"	46"
36CN, PS	12" – 18"	45"	58"
48CN, PS	18" – 24"	45"	70"
SA39	12" – 18"	44"	60"
SA45	18" – 24"	44"	66"
SA51	18" – 24"	44"	72"
SA63	32" – 40"	44"	84"
SA75	32" – 40"	44"	96"



Due to varying climates, soil conditions, building codes, construction methods and materials in different geographical regions, Stone Age recommends installers review local building codes, consult with local building officials and/or a structural engineer before beginning the construction of any Stone age product.

Pad and footings for outdoor fireplaces should be a monolithic pad constructed of steel reinforced concrete. Minimum footing specifications for fireplaces built on stable soil, with overall height not exceeding 10 feet, are listed above. Locations with unstable soil may require a thicker footing or the addition of piers, to reach more stable subsoil or bedrock. Areas with colder climates may also require thicker footings or piers that reach below the frost line to prevent frost heaving. Piers should include steel reinforcement that extends into the footing above.

For taller applications, consult with an engineer to determine the structural requirements based on the overall height, and the weight of fireplace, chimney, and finish materials. If custom hearths or additional masonry structure is to be attached to the fireplace kit, the footing dimensions should be adjusted to include these customizations.

If local building code exceeds the manufacturer's specifications for footings, follow the local code.

Pad and footings for Indoor Fireplaces - requirements should be determined based on local building code. Consult with a structural engineer to determine the footing requirements based on the overall height, and the weight of fireplace, chimney, and finish materials.

Pad and footings for Kitchen Islands, Barbecue Smokers, Brick and Pizza Ovens should be a monolithic reinforced concrete pad, 4" minimum thickness. These models may be placed on existing reinforced concrete patios, or if a dedicated footing shall be used, the footing requirements should be determined by local building code.

Stone Age Manufacturing, Inc. proudly offers an industry-leading 25 year limited warranty on all UL-127 fireplaces.

LIMITED WARRANTY

The products of Stone Age Manufacturing, Inc. ("Stone Age") have been carefully manufactured and the components assembled to give the customer a quality product. Stone Age warrants to the original purchaser the materials that it provides to the customer against defects in manufacture for a period of twenty-five (25) years from the date of purchase on UL-127 listed fireplaces, for a period of five (5) years from the date of purchase on all unlisted fireplaces, fire pits, and other masonry components. Other accessory items or components offered, but not produced by Stone Age Manufacturing, Inc., shall be covered by their manufacturer's warranties. This Limited Warranty covers only actual manufacturing defects in the Stone Age product and does not cover defects or faulty workmanship in the installation of the product or the masonry or other structure in which it is installed. Also this warranty does not cover items that have been damaged due to over-heating, modification, improper storage or maintenance. Stone Age shall repair or replace, at its option, any defective Stone Age product component upon receipt of written notice addressed to Stone Age. This Limited Warranty covers only replacement of any defective components within the product itself occurring during the warranty period and does not cover the cost of installation or removal from a fixed location. NO OTHER WARRANTIES, EXPRESS OR IMPLIED, ARE MADE, INCLUDING IMPLIED WARRANTIES OF MERCHANTABILITY AND FITNESS FOR PARTICULAR PURPOSES WHICH ARE SPECIFICALLY DISCLAIMED. Stone Age is not liable for damages or injury to persons or property or other incidental or consequential damages.

Catalog Revision Date: 2016-10

©2010-2016, Stone Age Manufacturing, Inc., All Rights Reserved.

The entire contents of this document are exclusively for the use of authorized Stone Age dealers and distributors, and may not be reprinted or reproduced in any way without the express written permission of Stone Age Manufacturing, Inc.

Web: stoneagemanufacturing.com

Email: info@stoneagemanufacturing.com



Stone Age Manufacturing

Modular Masonry Technology at its Finest

stoneagemanufacturing.com



Proudly Made In USA



Tested & Listed by



Portland Oregon USA

OMNI-Test Laboratories, Inc.



www.facebook.com/StoneAgeMfg



www.youtube.com/user/StoneAgeMFG



www.pinterest.com/stoneagemfg



www.houzz.com/pro/stoneagemfg

Stone Age Manufacturing, Inc.

11107 E. 126th St. N.

Collinsville, OK 74021